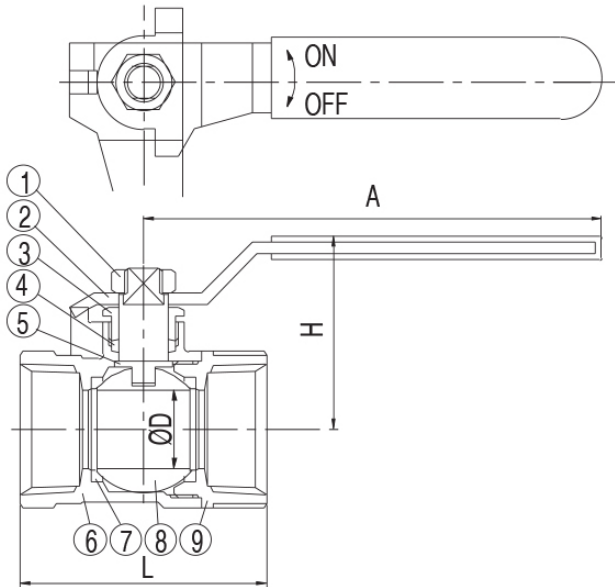


BALL VALVES FORGED BRASS

STANDARD PORT • 400# • NPT THREAD



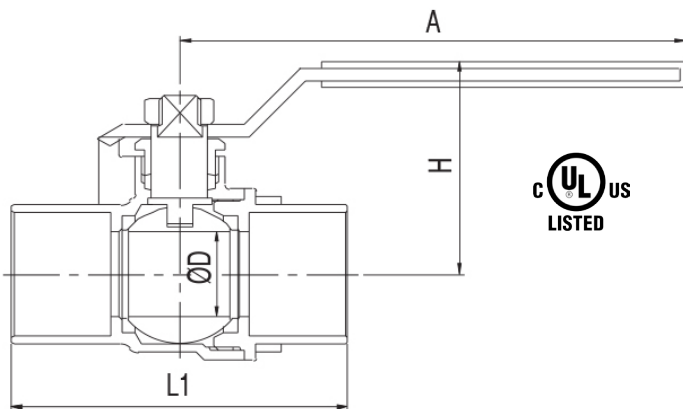
- Quality forged brass construction eliminates porosity
- Maximum temperature is 400° @ 100 psi
- PTFE seats and seals
- 400 W.O.G.
- 150 PSI Saturated Steam



DIMENSIONS									
ITEM #	SIZE	L	L1	H	D	A	BOX	CASE	
6520420	1/4"	1.73"	-	1.45"	0.39"	3.31"	180	400	
6520421	3/8"	1.73"	1.61"	1.45"	0.39"	3.31"	180	400	
6520422	1/2"	1.89"	1.89"	1.45"	0.39"	3.31"	120	400	
6520423	3/4"	2.20"	2.64"	1.57"	0.59"	3.31"	90	360	
6520424	1"	2.44"	3.07"	1.97"	0.79"	4.65"	60	180	
6520425	1-1/4"	2.91"	3.42"	2.13"	0.98"	4.65"	36	120	
6520426	1-1/2"	1.73"	4.02"	2.60"	1.26"	5.28"	24	80	
6520427	2"	3.66"	4.80"	2.76"	1.49"	5.28"	16	60	

MATERIALS	
PART	MATERIAL
NUT	STEEL
HANDLE	STEEL
STEM GLAND SCREW	CAST BRASS
STEM PACKING	VIRGIN PTFE
STEM	EXTRUDED BRASS
BODY	FORGED BRASS
BALL DISC PACKING	VIRGIN PTFE
BALL DISC	BRASS
END PLUG	FORGED BRASS
HANDLE COVER	VINYL JACKET

STANDARD PORT • 400# • CXC



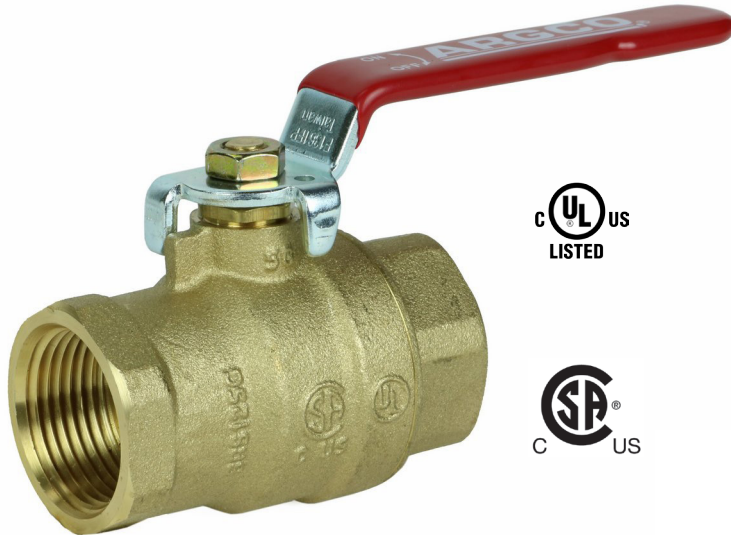
DIMENSIONS									
ITEM #	SIZE	L	L1	H	D	A	BOX	CASE	
6520432	1/2"	1.89"	1.89"	1.45"	0.39"	3.31"	120	400	
6520433	3/4"	2.20"	2.64"	1.57"	0.59"	3.31"	90	360	
6520434	1"	2.44"	3.07"	1.97"	0.79"	4.65"	60	180	
6520435	1-1/4"	2.91"	3.42"	2.13"	0.98"	4.65"	36	120	
6520436	1-1/2"	1.73"	4.02"	2.60"	1.26"	5.28"	24	80	
6520437	2"	3.66"	4.80"	2.76"	1.49"	5.28"	16	60	

System No.		Location	
Submitted By		Date	

Spec Section		Paragraph	
Approved		Date	

BRASS BALL VALVES

600# THREADED FULL PORT



Forged Brass, Full Port, FIPS

Available Sizes: 1/4" through 4"

Maximum Working Pressure: 600 psi WOG

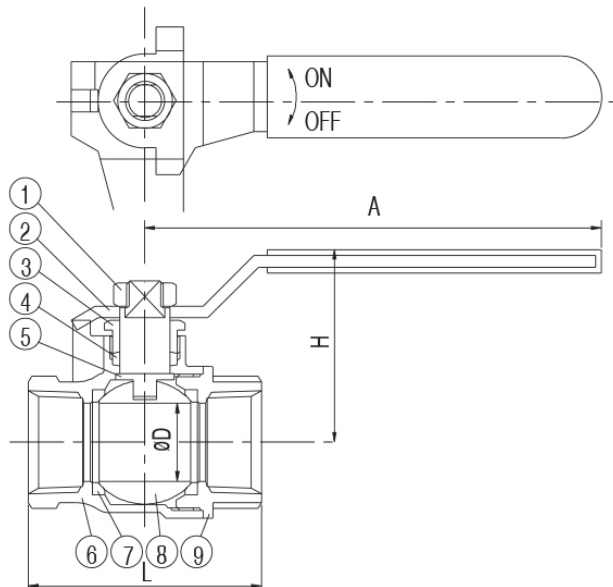
Threaded Female IPS

Threads comply with ANSIB1.20.1

CERTIFICATIONS/LISTINGS:

UL, CSA for 1/4" thru 2"

NO.	PART	SPECIFICATION
1	Nut	Steel
2	Handle	Steel
3	Stem/Gland Screw	Steel
4	Stem Packing	ASTM B124
5	Stem	ASTM B124
6	Body	PTFE
7	Ball Disc Packing	ASTM B124
8	Ball Disc	PTFE
9	End Plug	ASTM Chrome Plated
		ASTM B124



ITEM #	Nominal Size in	DN	A	B	C	Inner Box	Master Box
6520400UL	1/4"	0.39	1.70	1.71	3.46	180	400
6520401UL	3/8"	0.39	1.70	1.71	3.46	180	400
6520402UL	1/2"	0.59	2.07	1.85	3.46	120	400
6520403UL	3/4"	0.75	2.38	2.13	4.33	90	200
6520404UL	1"	0.98	2.89	2.28	4.33	60	144
6520405UL	1-1/4"	1.26	3.27	2.80	5.51	36	80
6520406UL	1-1/2"	1.57	3.62	2.99	5.51	24	64
6520407UL	2"	1.97	4.01	3.27	5.51	12	30
6520408UL	2-1/2"	2.56	5.35	4.59	9.06	8	24
6520409UL	3"	2.95	5.83	4.86	9.06	6	20
6520410UL	4"	3.90	7.28	5.67	10	4	8

System No.		Location		Spec Section		Paragraph	
Submitted By		Date		Approved		Date	