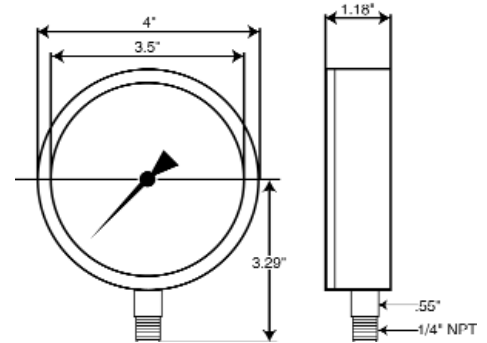


# data sheet

## ARGCO



### Bourdon Tube Pressure Gauge -30 to 160 psi



#### Applications

- Hydraulic and pneumatic systems
- Pumps, compressors, water systems, regulators
- Suitable for fluid medium which does not clog connection port or corrode copper alloy

#### Special features

- Copper alloy wetted parts
- ABS plastic or painted steel case
- Lower mount (LM) process connection

#### Standard Features

Design  
EN837-1 and ASME B40.100  
Size: 4" (100 mm)

#### Accuracy class

+ 3/2/3% of span (ASME B40.100 Grade B)

#### Ranges

Vacuum/Compound to 30 "Hg / 0 / 200 psi  
Pressure from 15 psi to 6,000 psi  
or other equivalent units of pressure or vacuum  
Receiver scales 3...15 psi

#### Working pressure

Steady: 3/4 of full scale value  
Fluctuating: 2/3 of full scale value  
Short time: full scale value

#### Operating temperature

Ambient: -40°F to 140°F (-40°C to 60°C)  
Media: 140°F (+60°C) maximum  
Temperature error  
Additional error when temperature changes from reference temperature of 68°F (20°C) +0.4% for every 18°F (10°C) rising or falling. Percentage of span.

#### Pressure connection

Material: copper alloy  
Lower mount (LM)  
1/8" or 1/4" NPT

#### Bourdon Tube

Material: copper alloy  
30"Hg (Vac) to 600 psi C-type  
800 psi to 6,000 psi helical type

#### Movement

Copper alloy

#### Dial

White plastic with stop pin (1½", 2", 2½")  
White aluminum with stop pin (4")  
Black or black and red lettering

#### Pointer

Black ABS plastic (1½", 2", 2½" LM)  
Black aluminum (2", 2½" and 4" LM)

**Case:** Black ABS plastic

**Window:** Snap-in acrylic

**FOR MORE INFORMATION CALL ARGCO AT 1-800-854-1015  
OR LOG ONTO WWW.ARGCO.COM**