

# ALUMINUM SPLIT RING WALL PLATES

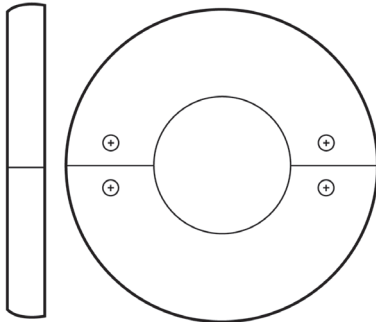


## Hinged floor and ceiling plate

Available 1/4" to 10" ips and 3/8" to 4" cps

- Polished Aluminum (Available White)
- 0.063 Thick
- 1/2" deep

ARGCO also offers heavy gauge steel, light gauge steel, plastic, aluminum, forged steel and forged brass wall plates. Visit [argco.com](http://argco.com) for details.



MADE IN USA

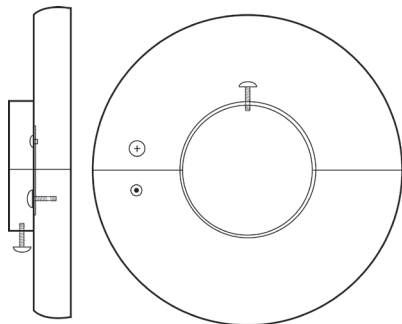
ITEM #	PIPE SIZE	INNER DIMENSION	OUTER DIMENSION
4521101	3/4" IPS	1-1/8"	4-1/8"
4521102	1" IPS	1-3/8"	4-3/8"
4521103	1-1/4" IPS & 1-1/2" CPS	1-3/4"	4-3/4"
4521104	1-1/2" IPS	2"	5"
4521105	2" IPS	2-7/16"	5-7/16"
4521106	2-1/2" IPS	2-15/16"	5-15/16"
4521106-3	3" IPS	3-9/16"	6-9/16"
4521107	4" IPS	4-9/16"	7-9/16"
4521108	5" IPS	5-5/8"	8-5/8"
4521109	6" IPS	6-13/16"	9-13/16"
4521111	8" IPS	8-15/16"	11-15/16"
4521112	10" IPS	10-3/4"	13-3/4"
4521113	12" IPS	12-13/16"	15-13/16"
4521114	14" IPS	14"	17"

# ALUMINUM SPLIT RING WALL PLATES with Set Screw

## Hinged floor and ceiling plate with Set Screw

Available 1/4" to 10" ips and 3/8" to 4" cps

- Polished Aluminum (Available White)
- .063 Thick
- 1" Deep



MADE IN USA

**All Aluminum & Stainless Steel Wall Plates and Escutcheons are manufactured at the ARGCO facility in Corona, California, USA.**

ITEM #	PIPE SIZE	INNER DIMENSION	OUTER DIMENSION
4519205	1" IPS	1-3/8"	4-3/8"
4519210	1-1/4" IPS & 1-1/2" CPS	1-3/4"	4-3/4"
4519215	1-1/2" IPS	2"	5"
4519220	2" IPS	2-7/16"	5-7/16"
4519225	2-1/2" IPS	2-15/16"	5-15/16"
4519226	3" IPS	3-9/16"	6-9/16"
4519228	4" IPS	4-9/16"	7-9/16"
4519230	6" IPS	6-13/16"	9-13/16"
4519232	8" IPS	8-15/16"	11-15/16"

System No.		Location		Spec Section		Paragraph	
Submitted By		Date		Approved		Date	