

data sheet



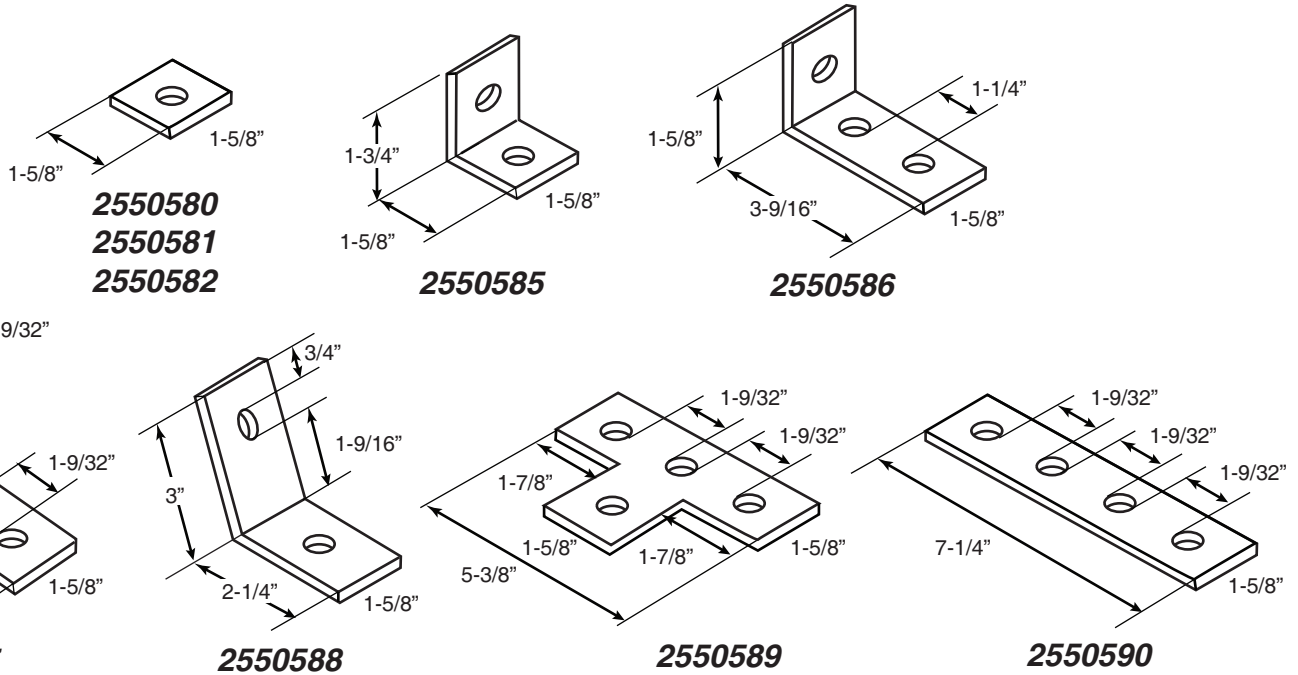
STRUT ANGLE CONNECTORS

Width: 1-5/8"

Hole Size: 1/2"

Thickness: 1/4"

Electro Galvanized Carbon Steel Construction



2550580	STRUT WASHER SQUARE CHANNEL 3/8" (100)
2550581	STRUT WASHER SQUARE CHANNEL 1/2" (100)
2550582	STRUT WASHER SQUARE CHANNEL 5/8" (100)
2550585	STRUT ANGLE FITTING 90 DEGREE TWO HOLE (100)
2550586	STRUT ANGLE FITTING 90 DEGREE THREE HOLE (100)
2550587	STRUT ANGLE FITTING 90 DEGREE FOUR HOLE (50)
2550588	STRUT ANGLE FITTING 45 DEGREE TWO HOLE (50)
2550589	STRUT T PLATE - FOUR HOLE FLAT FITTING (100)

The information contained herein is produced in good faith and is believed to be reliable but is for guidance only. ARGCO and its agents cannot assume liability or responsibility for results obtained in the use of its product by persons whose methods are outside or beyond our control. It is the user's responsibility to determine the suitability of any of the products, methods of use, or preparation prior to use, mentioned in our literature. It is the user's responsibility to observe and adapt such precautions as may be advisable for the protection of personnel and property in the handling and use of any of our products.

**FOR MORE INFORMATION CALL ARGCO AT 1-800-854-1015
OR LOG ONTO WWW.ARGCO.COM**