

BUTTERFLY VALVE - GROOVED LEVER HANDLE

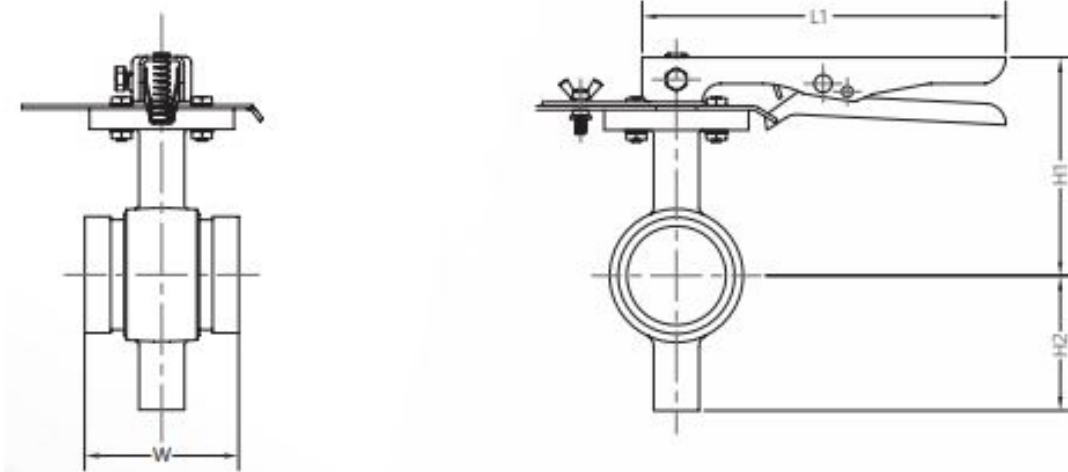


Technical Features

- Connections: Grooved Ends (AWWA C606)
- Size: 2", 2-1/2", 3", 4", 5", 6", 8", 10", 12", 14"
- Maximum Working Pressure: 300PSI (Max. Test Pressure: 450PSI)
- Maximum Working Temperature: 250°F (120°C)
- Application: Indoor and Outdoor Use
- 10 Point Lock Position



Component	Material
Body	Nylon-11 Coated
Disc	Ductile Iron, EPDM
Stem	Stainless Steel
Throttling Plate	Steel, Zinc Plated
ISO Mounting Pad	
Handle	Carbon Steel, Epoxy Coating or Casting



Item #	Size	L1	W	H1	H2	WEIGHT
6520220	2"	9"	3.4"	4.8"	2.6"	-
6520221	2-1/2"	9"	3.8"	5.4"	3.3"	8.5 lbs
6520222	3"	9"	3.8"	5.7"	3.6"	10.0 lbs
6520223	4"	9"	4.5"	7.0"	4.2"	13.5 lbs
6520225	6"	11.3"	5.2"	8.2"	5.7"	20.0 lbs
6520226	8"	13.3"	5.8"	9.3"	6.7"	33.5 lbs

System No.		Location		Spec Section		Paragraph	
Submitted By		Date		Approved		Date	