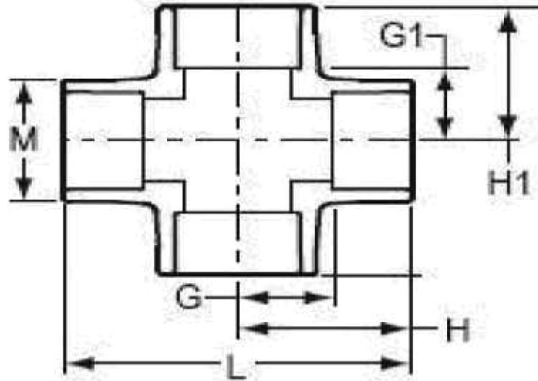


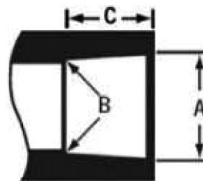
CPVC CROSS



CROSS SOCKET X SOCKET X SOCKET X SOCKET

Part Number	Size	G	H	L	G1	H1	M	Approx Wt. (Lbs.)
CPCRS-34	3/4	5/8	1-10/29	2-11/16	5/8	1-10/29	1-13/32	0.22
CPCRS-1	1	3/4	1-5/8	3-11/16	1-11/16	1-5/8	1-5/8	0.23
CPCRS-114	1-1/4	15/16	1-7/8	3-11/16	1-1/8	1-7/8	2-3/32	0.65
CPCRS-112	1-1/2	1-7/32	2-5/8	5-1/4	1-7/32	2-5/8	2-11/32	0.87
CPCRS-2	2	1-1/2	3	6	1-1/2	3	3	1.43

SOCKET DIMENSIONS



SCH 40 ASTM F438
SCH 80-ASTM F439

SIZE	Socket Ent. A	Socket Bottom B	Tolerance	SCH 40 Minimum Socket Length C	SCH 80 Minimum Socket Length C
3/4"	1.058	1.046	±0.004	0.719	1.000
1"	1.325	1.310	±0.005	0.875	1.125
1-1/4"	1.670	1.655	±0.005	0.938	1.250
1-1/2"	1.912	1.894	±0.006	1.094	1.375
2"	2.387	2.369	±0.005	1.156	1.500
2-1/2"	2.899	2.868	±0.007	1.75	1.750
3"	3.516	3.492	±0.008	1.875	1.875

FOR MORE INFORMATION CALL ARGCO AT 1-800-854-1015
OR LOG ONTO WWW.ARGCO.COM