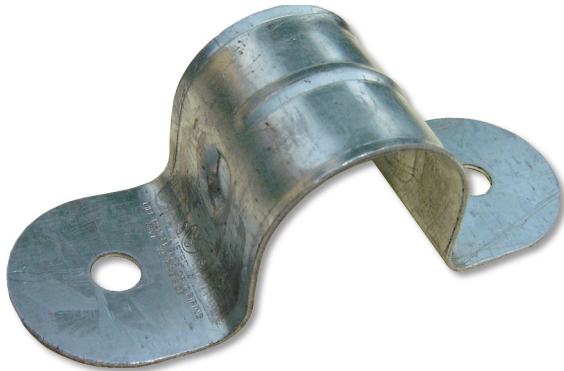
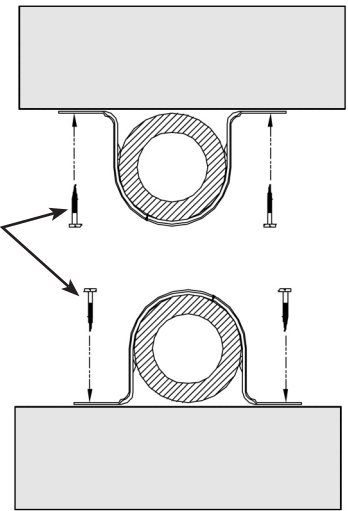


# CPVC TWO HOLE STRAP



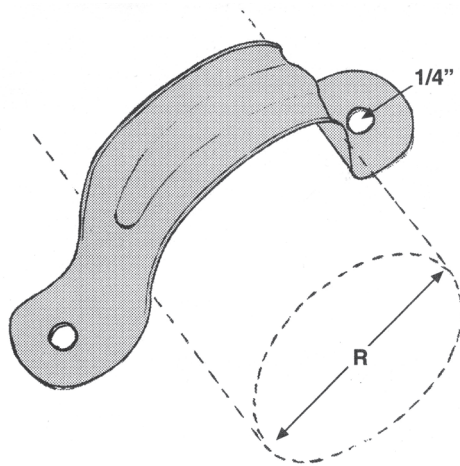
HEX HEAD SCREWS



Designed for support or restraint for piping in either a vertical or horizontal position. It can be used on top or bottom of a beam. The edges are flared to prevent any damage to the CPVC pipe.

It is easily attached using two #10 x 1" hex head self-threading screws (supplied).

Galvanized steel construction



1. SNAP CPVC PIPE INTO HANGER
2. MOUNT HANGER TO UNDERSIDE OF BEAM WITH SCREWS PROVIDED

**NOTE:** MAY ALSO BE USED ON TOP SIDE OF BEAM.

ITEM #	CPVC PIPE SIZE
2530283	3/4"
2530284	1"
2530285	1-1/4"
2530286	1-1/2"
2530287	2"

Galvanized carbon steel construction, supplied with hex slotted screws

System No.		Location		Spec Section		Paragraph	
Submitted By		Date		Approved		Date	