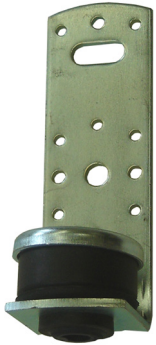
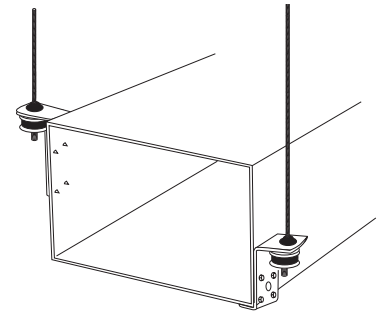


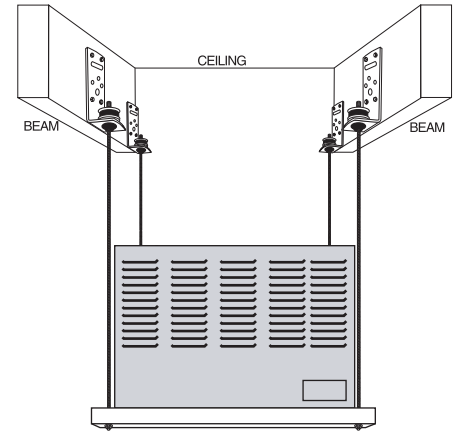
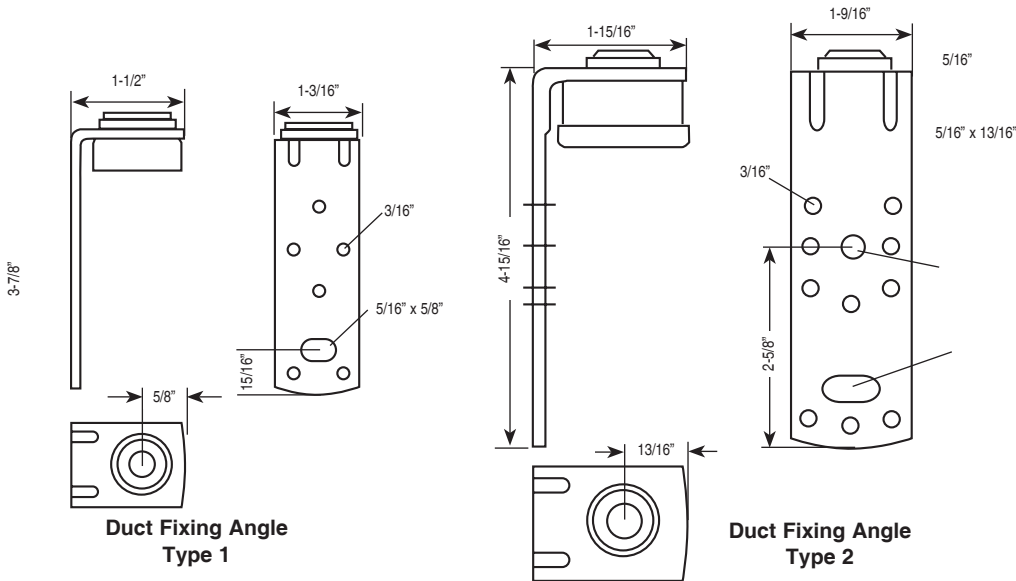
DUCT SUPPORT ANGLE (L) DUCT, FURNACE, AIR HANDLER ISOLATION SUPPORT BRACKET



- Vertically fastens to side of beam
- Easy to install suspension for air ducts
- EPDM Rubber insulation provides sound & vibration control
- Easy alignment and height adjustment with threaded rod
- Holes to fasten to air duct with rivets, self-drilling screws or bolts
- Zinc plated steel 1/8" thick for 3/8" rod
- Ideal for hanging furnaces
- Average Vibration Reduction: 14dB (A)



DUCT INSTALLATION



FURNACE INSTALLATION

Item #	DESCRIPTION	Max. Rec.Load
2540175	Duct Fixing Angle Type 1 (L)	52 lbs.
2540170	Duct Fixing Angle Type 2 (L)	180 lbs.

System No.		Location		Spec Section		Paragraph	
Submitted By		Date		Approved		Date	