

FIRE DEPARTMENT CONNECTION BREAKABLE CAPS

3" ALUMINUM FDC BREAK CAPS - GREEN



Aluminum Breakable Caps for Fire Department Connections are cast aluminum.

Each set includes two caps and 4 eyelets with nuts for 2-1/2" swivels.

The caps have been molded with "scored" tabs for easy removal with a hydrant wrench or other similar tool.

Aluminum Breakable caps provide inexpensive protection against the introduction of foreign material into the swivels but allow for quick access when a hose connection is necessary.

Installation

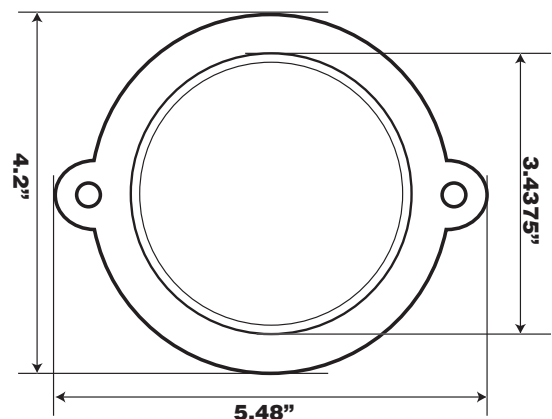
Remove the caps from their packaging. Hold the breakable cap to the opening of swivel. Align the breakable tabs with the pin lugs on the swivel.

Once aligned, insert the threaded end of one eyelet through the hole in the tab of the cap then slide the eyelet over the pin lug.

Once the eyelet is in place, carefully thread the included 1/4-20 finished hexnut on to the threaded end of the eyelet until snug.

Caution:

Do not overtighten. The tabs of the break caps are designed to break with minimal force.



6510452: 3" aluminum (Green)