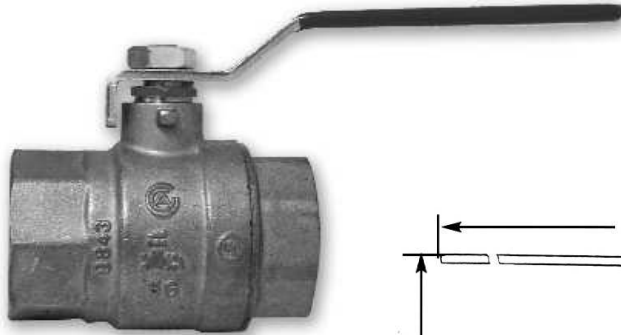


data sheet

ARGCO

Forged Brass Ball Valves - Full Port 600# • ips

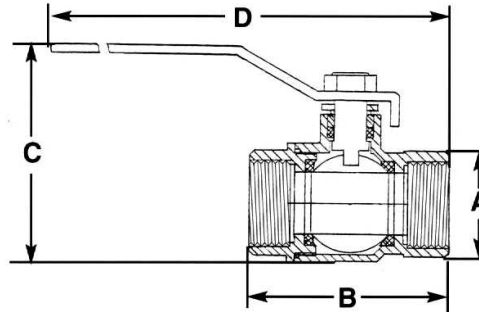
- Quality forged brass construction eliminates porosity
- Maximum temperature is 400° @ 100 psi
- PTFE seats and seals
- Suitable for Water, Oil, a wide range of Gases
- Max working pressure rated 600# WOG, 150 WSP & 175 PSIG & 1/2G 2G 5G
- Viton O-ring to prevent stem leakage



UL File No: MH27906



CSA File No: ISO 9001
US 2041220000



PART #	SIZE	DIMENSIONS			
		A	B	C	D
65-20-400UL	1/4"	0.39"	1.77"	1.57"	3.15"
65-20-401UL	3/8"	0.47"	1.81"	1.57"	3.15"
65-20-402UL	1/2"	0.59"	2.05"	1.61"	3.74"
65-20-403UL	3/4"	0.75"	2.40"	2.01"	3.74"
65-20-404UL	1"	0.94"	2.76"	2.17"	4.53"
65-20-405UL	1-1/4"	1.26"	3.35"	2.80"	4.53"
65-20-406UL	1-1/2"	1.50"	3.66"	2.95"	6.30"
65-20-407UL	2"	1.89"	4.25"	3.43"	6.69"
65-20-408*	2-1/2"	2.36"	5.16"	4.02"	7.48"
65-20-409*	3"	2.87"	5.67"	4.49"	8.15"
65-20-410*	4"	3.54"	6.65"	5.12"	8.15"

*not UL listed

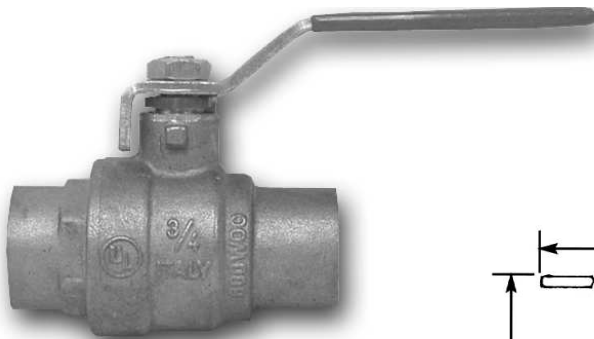
MATERIALS

PART	MATERIAL
BODY	BRASS
SEALING WASHER	PTFE
CHROME PLATED BALL	BRASS
GLAND WASHER	PTFE
BALL PACKING	PTFE
LOCK WASHER	STAINLESS STEEL
HANDLE NUT	STAINLESS STEEL
STEM	BRASS
PACKING NUT	BRASS
CAP	BRASS
ZINC PLATE HANDLE	CARBON STEEL

For Use with Natural, Manufactured, Mixed, Liquefied Petroleum or Propane and LP Gas-air mixtures.

Forged Brass Ball Valves - Full Port 600# • C x C

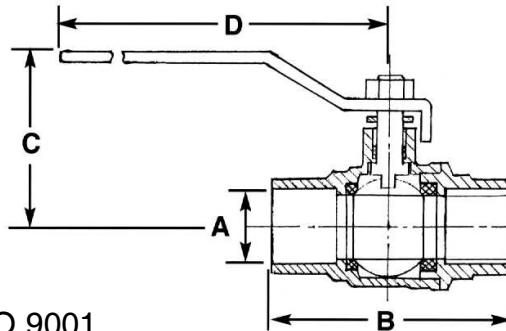
- Quality forged brass construction eliminates porosity
- Suitable for Water, Oil, a wide range of Gases
- Max working pressure rated 600# WOG, 150 WSP & 175 PSIG & 1/2G 2G 5G
- Maximum temperature is 400° @ 100 psi
- PTFE seats and seals
- 150 WSP



CSA File No: ISO 9001
US 2041220000



UL File No: MH27906



PART #	SIZE	DIMENSIONS			
		A	B	C	D
65-20-412UL	1/2"	0.59"	2.28"	1.97"	3.54"
65-20-413UL	3/4"	0.75"	2.83"	2.20"	4.06"
65-20-414UL	1"	0.94"	3.54"	2.56"	4.84"
65-20-415UL	1-1/4"	1.26"	4.06"	2.76"	4.84"
65-20-416UL	1-1/2"	1.50"	4.45"	3.35"	6.02"
65-20-417UL	2"	1.89"	5.24"	3.74"	6.02"

MATERIALS

PART	MATERIAL
BODY	BRASS
SEALING WASHER	PTFE
CHROME PLATED BALL	BRASS
GLAND WASHER	PTFE
BALL PACKING	PTFE
HANDLE NUT	STAINLESS STEEL
STEM	BRASS
PACKING NUT	BRASS
CAP	BRASS
ZINC PLATE HANDLE	CARBON STEEL