

FLANGE ADAPTER

Model 901



The Model 901 Flange Adapter allows for direct connection of a grooved system to ANSI class 125/150 flanged components

Pipe Material

- Carbon steel, Schedule 10, Schedule 40.

Maximum Working Pressure

- Up to 250 psi/20.6 bar

Function

- Joins carbon grooved pipe system to flange components

CERTIFICATIONS/LISTINGS

Underwriters Laboratories, Underwriters Laboratories Canada, Factory Mutual.

SPECIFICATIONS - MATERIAL

Housing Sections: Ductile Iron conforming to ASTM A 536, Grade 65-45-12.

Housing Coating:

Standard: Galvanized

Available: Orange Enamel

Bolts and Nuts

Standard: Carbon Steel oval neck track bolts meeting ASTM A449 and ISO 898-1. Carbon steel hex nuts meet ASTM A563 Grade B.

Nuts and Bolts are zinc electroplated per ASTM B633 NZ/FE5, finish Type III.

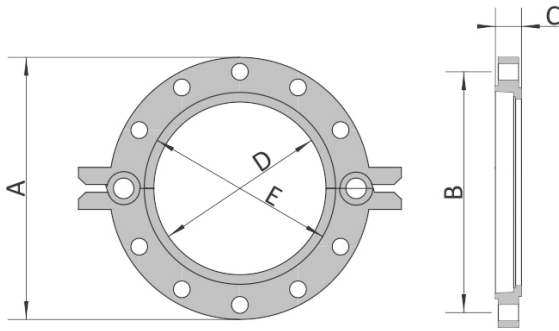
Available: Stainless Steel. Meets ASTM F593, Group 2 (316 stainless steel), condition CW.

Hex nuts meets ASTM F594, Group 2 (316 stainless steel), condition CW, with galling-resistant coating.

| | | | | | | | |
|--------------|--|----------|--|--------------|--|-----------|--|
| System No. | | Location | | Spec Section | | Paragraph | |
| Submitted By | | Date | | Approved | | Date | |

FLANGE ADAPTER

Model 901



| Item # | Nominal Size in/mm | Pipe O.D. in/mm | Max. Working Pressure PSI/Bar | Max. End Load Lbs./KN | Dimensions | | | Sealing Surface | | Bolt Holes No. | Bolt Size in/mm |
|---------|-----------------------|--------------------|-------------------------------------|-----------------------------|-------------------|-------------------|-------------------|-------------------|-------------------|-------------------|--------------------|
| | | | | | A inches mm | B inches mm | C inches mm | D inches mm | E inches mm | | |
| 7012450 | 2 | 2.375 | 250 | 1330 | 6.10 | 4.74 | 0.98 | 2.36 | 3.07 | 4 | 5/8 |
| | 50 | 60.3 | 17 | 5.71 | 155 | 120.5 | 25 | 60 | 78 | 4 | M16 |
| 7012451 | 2-1/2 | 2.875 | 250 | 1950 | 7.09 | 5.51 | 0.98 | 2.87 | 3.66 | 4 | 5/8 |
| | 65 | 73.0 | 17 | 8.37 | 180 | 140 | 25 | 73 | 93 | 4 | M16 |
| 7012452 | 3 | 3.500 | 250 | 2880 | 7.48 | 6.02 | 0.98 | 3.50 | 4.21 | 4 | 5/8 |
| | 80 | 88.9 | 17 | 12.41 | 190 | 153 | 25 | 89 | 107 | 4 | M16 |
| 7012453 | 4 | 4.500 | 250 | 4770 | 9.06 | 7.52 | 0.98 | 4.49 | 5.16 | 8 | 5/8 |
| | 100 | 114.3 | 17 | 20.51 | 230 | 191 | 25 | 114 | 131 | 8 | M16 |
| 7012454 | 5 | 5.563 | 250 | 7390 | 10.04 | 8.50 | 0.98 | 5.55 | 6.18 | 8 | 3/4 |
| | 125 | 141.3 | 17 | 31.35 | 255 | 216 | 25 | 141 | 157 | 8 | M20 |
| 7012455 | 6 | 6.625 | 250 | 10340 | 11.02 | 9.49 | 0.98 | 6.61 | 7.28 | 8 | 3/4 |
| | 150 | 168.3 | 17 | 44.47 | 280 | 241 | 25 | 168 | 185 | 8 | M20 |
| 7012456 | 8 | 8.625 | 250 | 17520 | 13.58 | 11.77 | 1.06 | 8.62 | 9.21 | 8 | 3/4 |
| | 200 | 219.1 | 17 | 75.37 | 345 | 299 | 27 | 219 | 234 | 8 | M20 |
| 7012457 | 10 | 10.750 | 250 | 27210 | 15.94 | 14.25 | 1.18 | 10.75 | 11.57 | 12 | 1 |
| | 250 | 237.0 | 17 | 164.71 | 405 | 362 | 30 | 273 | 294 | 12 | M24 |
| 7012458 | 12 | 12.75 | 250 | 38280 | 19.09 | 17.01 | 1.26 | 12.76 | 13.43 | 12 | 1 |
| | 300 | 323.9 | 17 | 164.71 | 485 | 432 | 32 | 324 | 341 | 12 | M24 |

User Responsibility for Product Selection and Suitability

Each user bears final responsibility for making a determination as to the suitability of ARGCO products for a particular end-use application, in accordance with industry standards and project specifications, and the applicable building codes and related regulations as well as ARGCO performance, maintenance, safety, and warning instructions. Nothing in this or any other document, nor any verbal recommendation, advice, or opinion from any ARGCO employee, shall be deemed to alter, vary, supersede, or waive any provision of Allied Rubber and Gasket Company's standard conditions of sale, installation guide, or this disclaimer.

Note

All products to be installed in accordance with current ARGCO installation/assembly instructions. ARGCO reserves the right to change product specifications, designs and standard equipment without notice and without incurring obligations.

Installation

Reference should always be made to the ARGCO installation instructions of the product you are installing.

Warranty

Refer to the Warranty section of the current Price List or contact ARGCO for details.