

data sheet

ARGCO



GAS BALL VALVES

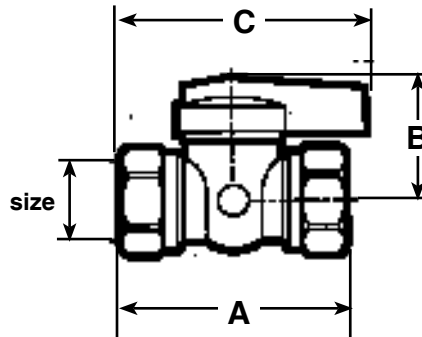


AGA Design Certified
Forged Brass
Female x Female IPS
600# WOG

- Quality forged brass construction eliminates porosity
- PTFE seats and seals
- Handle - corrosion resistant dacromet finish

MATERIALS	
PART	MATERIAL
FIXING SCREW	BRASS
HANDLE	COATED ALUMINUM
FIXING RING	STEEL
WASHER	STEEL
STEM	BRASS
O RING	RUBBER
SEAL	STEEL
SEAT	PTFE
BALL	C.P. STEEL
BODY	BRASS

DIMENSIONS				
PART #	SIZE	A	B	C
65-20-902	1/2" F x F	2.35"	1.69"	1.41"
65-20-903	3/4" F x F	2.59"	1.69"	1.41"



The information contained herein is produced in good faith and is believed to be reliable but is for guidance only. ARGCO and its agents cannot assume liability or responsibility for results obtained in the use of its product by persons whose methods are outside or beyond our control. It is the user's responsibility to determine the suitability of any of the products, methods of use, or preparation prior to use, mentioned in our literature. It is the user's responsibility to observe and adapt such precautions as may be advisable for the protection of personnel and property in the handling and use of any of our products.

**FOR MORE INFORMATION CALL ARGCO AT 1-800-854-1015
 OR LOG ONTO WWW.ARGCO.COM**