

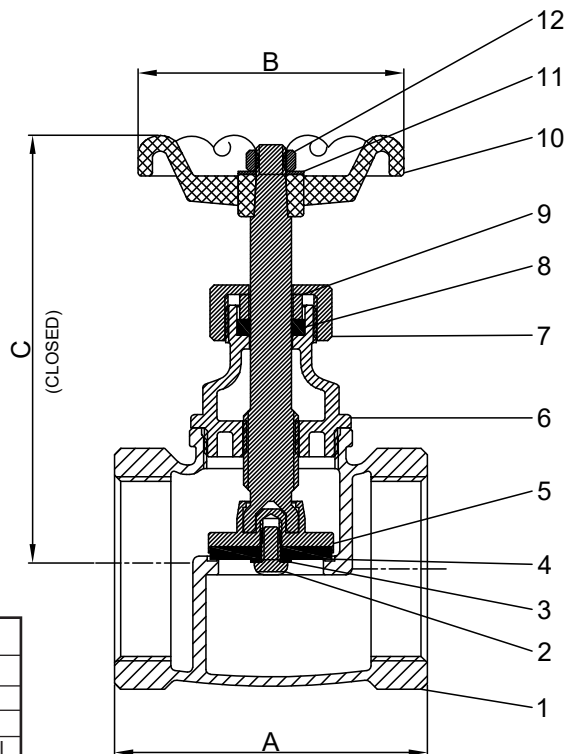
GLOBE VALVE - RUBBER SEAT

Brass



- Standard installation trim and drain valves for the fire sprinkler industry
- Water, oil & gas - 200 psi
- Temperature Rating: 180° F
- Rising stem

These valves are recommended where tight shut-off and frequent operation is required



MATERIALS	
PART	MATERIAL
1. BODY	CAST BRASS
2. SEAT SCREW	BRASS ROD
3. WASHER	STAINLESS STEEL
4. SEAT	NBR
5. DISC HOLDER	BRASS ROD
6. BONNET	FORGED BRASS
7. PACKING NUT	BRASS
8. PACKING	TEFLON
9. PACKING GLAND	BRASS
10. HANDWHEEL	CAST IRON
11. NAME PLATE	ALUMINUM
12. HANDWHEEL NUT	STEEL

DIMENSIONS

ITEM #	SIZE	A	B	C
6520044	1/4"	1.77"	2.17"	2.32"
6520045	1/2"	1.89"	2.17"	2.85"
6520050	3/4"	2.17"	2.17"	2.93"
6520055	1"	2.48"	2.56"	3.43"
6520060	1-1/4"	2.91"	1.68"	4.08"
6520065	1-1/2"	3.31"	2.95"	4.88"
6520070	2"	3.94"	3.35"	5.38"

Installation

Install in accordance with usual and customary installation techniques for fire sprinkler systems.

Use a suitable thread sealant on the male threads of the pipe being threaded into the valve body.

We recommend either Argco PTFE Thread Sealing Tape or Tuf-Glide Thread Sealing Paste with PTFE. NEVER USE BOTH.

DO NOT OVERTIGHTEN. OVERTIGHTENING MAY CAUSE CRACKS OR LEAKS.

System No.		Location		Spec Section		Paragraph	
Submitted By		Date		Approved		Date	