

GROOVED COUPLINGS - QUIKHINGE

ONE BOLT STANDARD RIGID Style 007RT



Patented One-Bolt Design

Available Sizes

- 1-1/4" through 6" (25 through 300 mm)

Pipe Material

- Carbon steel, Schedule 7 , Schedule 10, Schedule 40.

Maximum Working Pressure

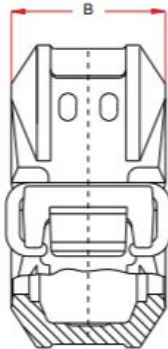
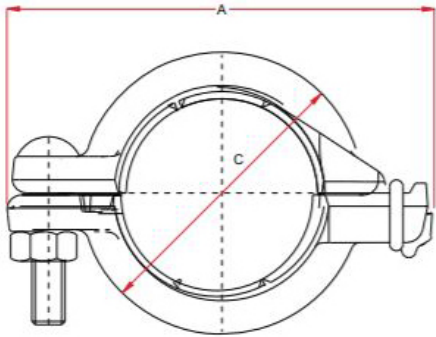
- Up to 300 psi

Function

- Joins carbon steel pipe.
- Provides a rigid pipe joint designed to restrict axial or angular movement.

CERTIFICATIONS/LISTINGS

Underwriters Laboratories, Underwriters Laboratories Canada, Factory Mutual, VDS



QUIKCOUP

Item Number	Nominal Size	Dimensions			Bolt Size	Maximum End Load lb/N	Weight lbs
		A	B	C			
7013002	1-1/4"	4.25"	1.73"	2.56"	3/8" x 2"	508	1.08
7013003	1-1/2"	4.49"	1.73"	2.80"	3/8" x 2"	659	1.26
7013004	2"	5.08"	1.77"	3.35"	3/8" x 2"	1027	1.54
7013005	2-1/2"	5.59"	1.77"	3.74"	3/8" x 2-1/4"	1506	1.65
7013006	3"	6.53"	1.83"	4.45"	3/8" x 2-1/4"	1641	2.21
7013007	4"	7.81"	1.81"	5.79"	3/8" x 2-1/4"	3690	3.40
7013009	6"	10.87"	2.05"	8.19"	1/2" x 3"	8000	6.95

System No.		Location		Spec Section		Paragraph	
Submitted By		Date		Approved		Date	