

SPRINKLER HEAD GUARD (RECESSED)



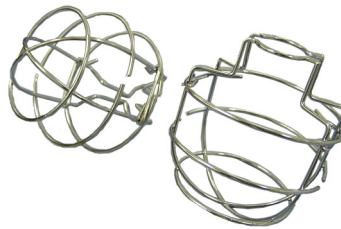
Recessed Sprinkler Head Guards:

Designed to provide protection of the sprinkler head against damage.
 Suitable for most recessed sprinkler applications.
 Available in chrome finish.

Caution: Sprinkler Head Guards will not protect sprinkler heads from severe abuse or impact.

Specifications

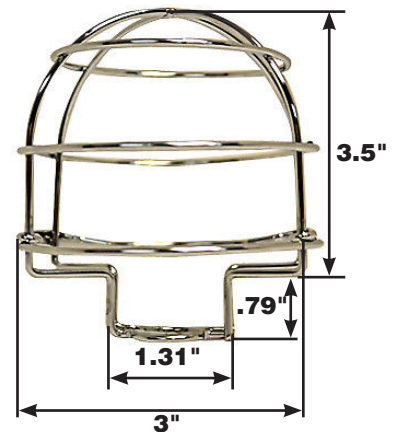
Type: Formed wire cage
 Sizes: 1-pc 1/2" (nominal)
 Material: .080" mild steel wire
 Finish: Chrome
 Dimensions: 3-1/2" tall x 3" wide



Installation:

Installation can be accomplished without tools and can be installed in the pendent position.
 Disengage both hooks on either side of the guard.
 Spread the cage open just enough to clear the sprinkler frame and deflector being careful not to damage the sprinkler.
 Engage the open end of the cage at the base of the sprinkler between the frame and the threads.
 Re-engage both hooks on either side of the sprinkler. Make sure the recessed skirt has been properly repositioned on the retainer of the sprinkler head according to the sprinkler head manufacturers specifications.

*Only use when the Recessed Sprinkler Head Guard can be installed without interfering with proper sprinkler head installation according to the sprinkler head manufacturers installation specifications and instructions.



Item #	Description	Weight
4530155	Recessed Sprinkler Head Guard	.11 lbs

System No.		Location		Spec Section		Paragraph	
Submitted By		Date		Approved		Date	