

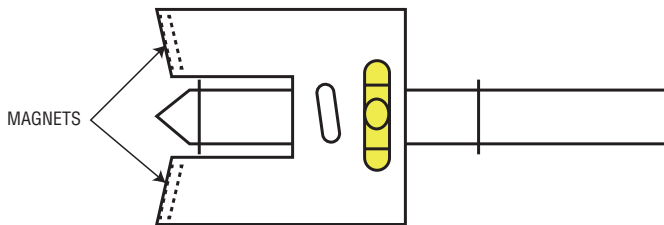
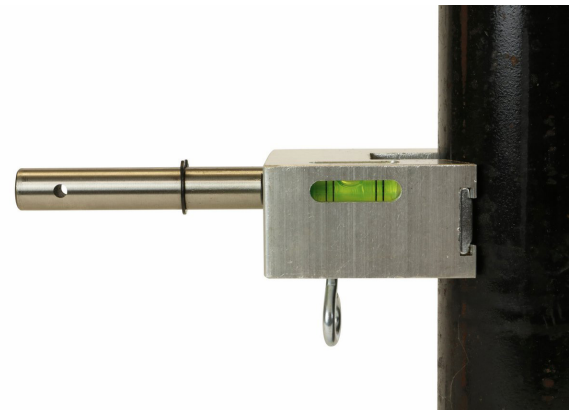
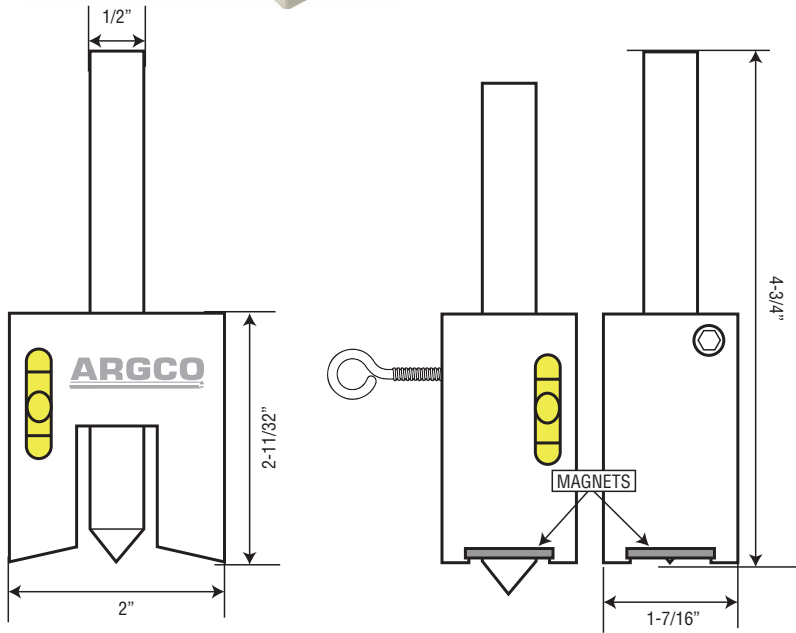


ON-CENTER PUNCH™



PIPE CENTERING PUNCH

- Magnetic center punch and level combination accurately locates position of holes to be drilled into pipe.
- Prevents drill bit from “walking” on curved surface of pipe
- No need for pipe clamp
- Two vials for horizontal or vertical leveling
- 1” to 10” pipe capacity



item # 3099106
ON CENTER
PIPE HOLE CUTTING PUNCH