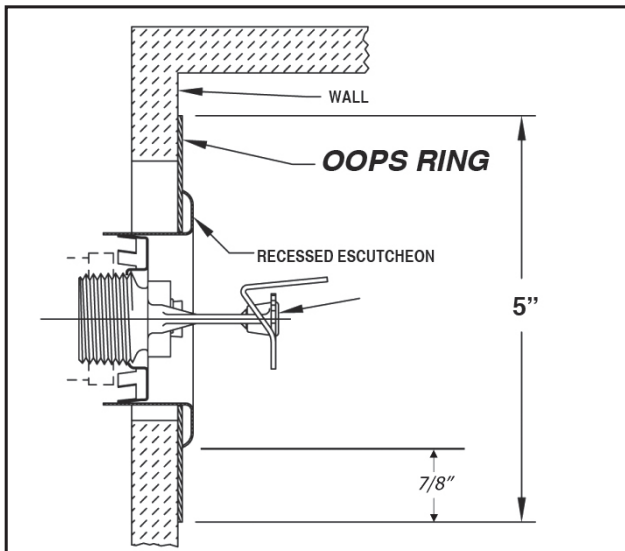


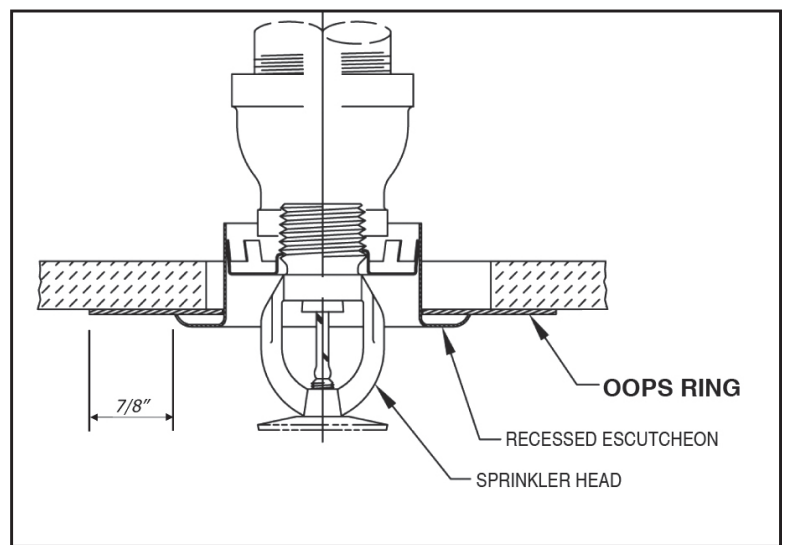
OOPS RING ESCUTCHEON



- Conceal oversized holes in wall or ceiling.
- Simply install between recessed escutcheon and sprinkler head.
- Fire resistant chrome plated steel plate 1/32" thick x 2-1/8" Inner Dimension x 5" Outer Dimension.
- Creates a separation between escutcheon and ceiling for seismic applications.



Side Wall Application



Ceiling Application

System No.		Location	
Submitted By		Date	

Spec Section		Paragraph	
Approved		Date	