

PRESSURE RELIEF VALVE

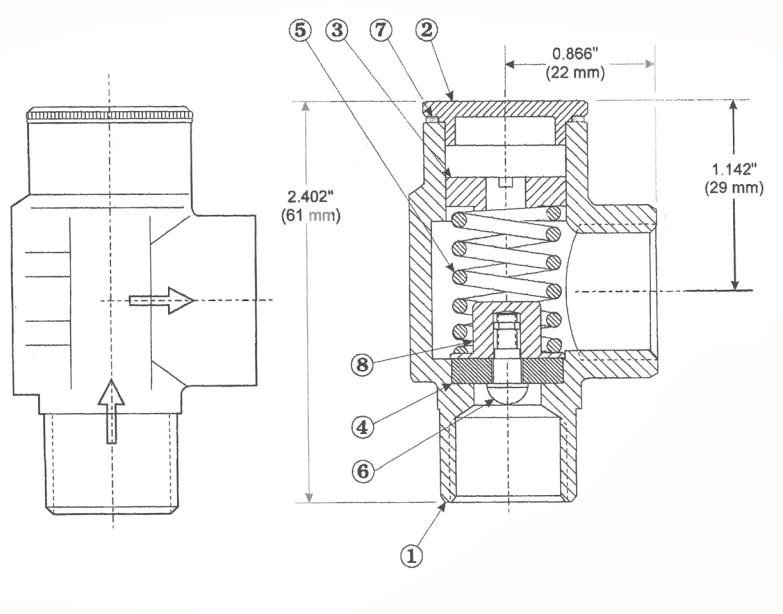
Non-Adjustable



Non-Adjustable 175 PSI Pressure Relief Valve 1/2" x 1/2"
(150 per case)

- Single setting, non-adjustable, designed to release system pressure at 175 psi.
- Bronze construction w/ Rubber seat.
- Designed for use in grid systems or any sprinkler system where pressure relief is required.

- 1) Body: Cast Brass
- 2) Cap: Brass
- 3) Adjustable Cap: Brass
- 4) Seal: Rubber
- 5) Spring: Stainless Steel
- 6) Screw: Brass
- 7) Washer: Fiber
- 8) Seal Seat: Brass



item number **6520161**: Pressure Relief Valve 1/2" IPS (175 psi) Angle Pattern

System No.		Location		Spec Section		Paragraph	
Submitted By		Date		Approved		Date	