

## BEFORE YOU BEGIN



### Tools Needed:

- Phillips screwdriver
- Safety glasses

## UNPACKING



### Unpack:

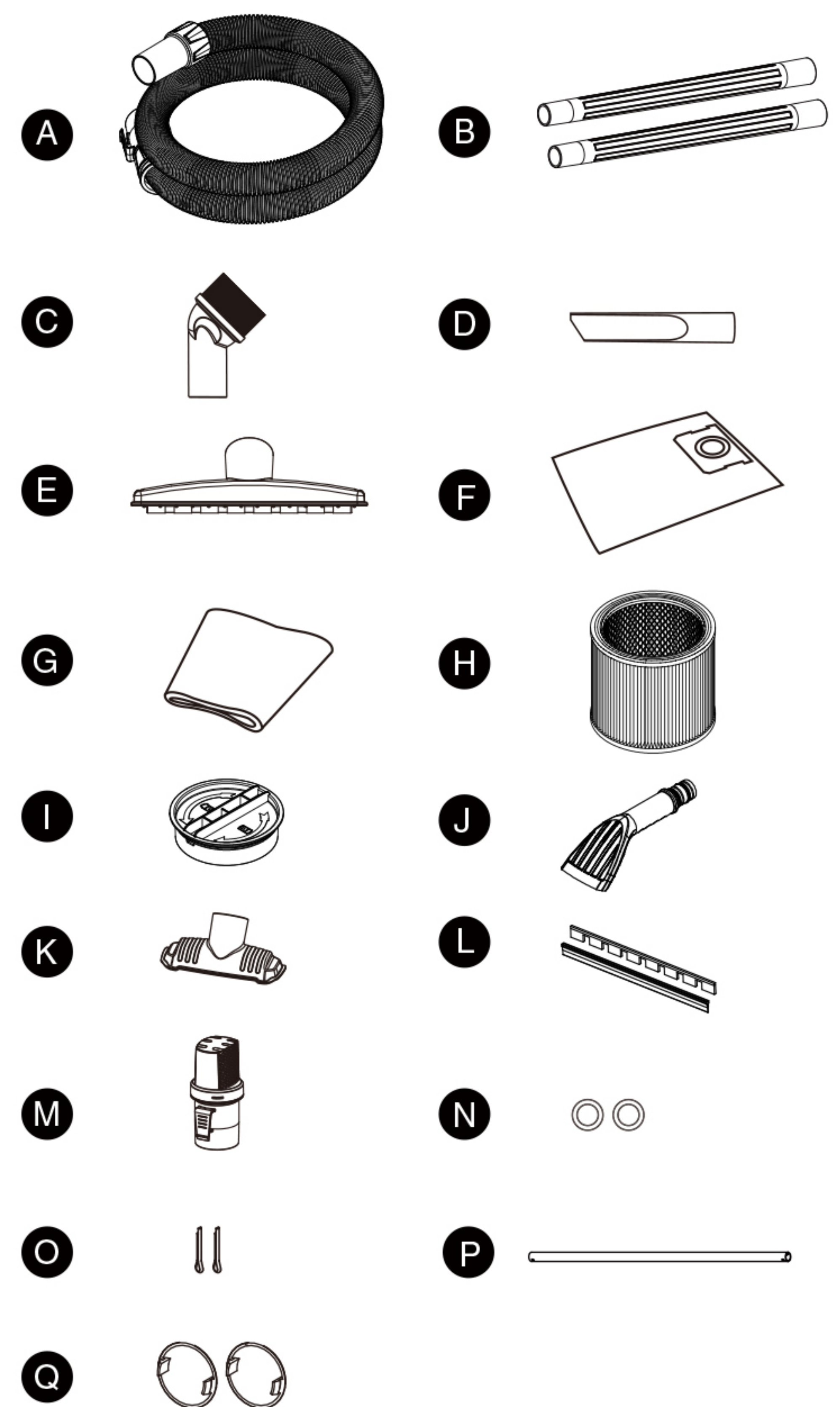
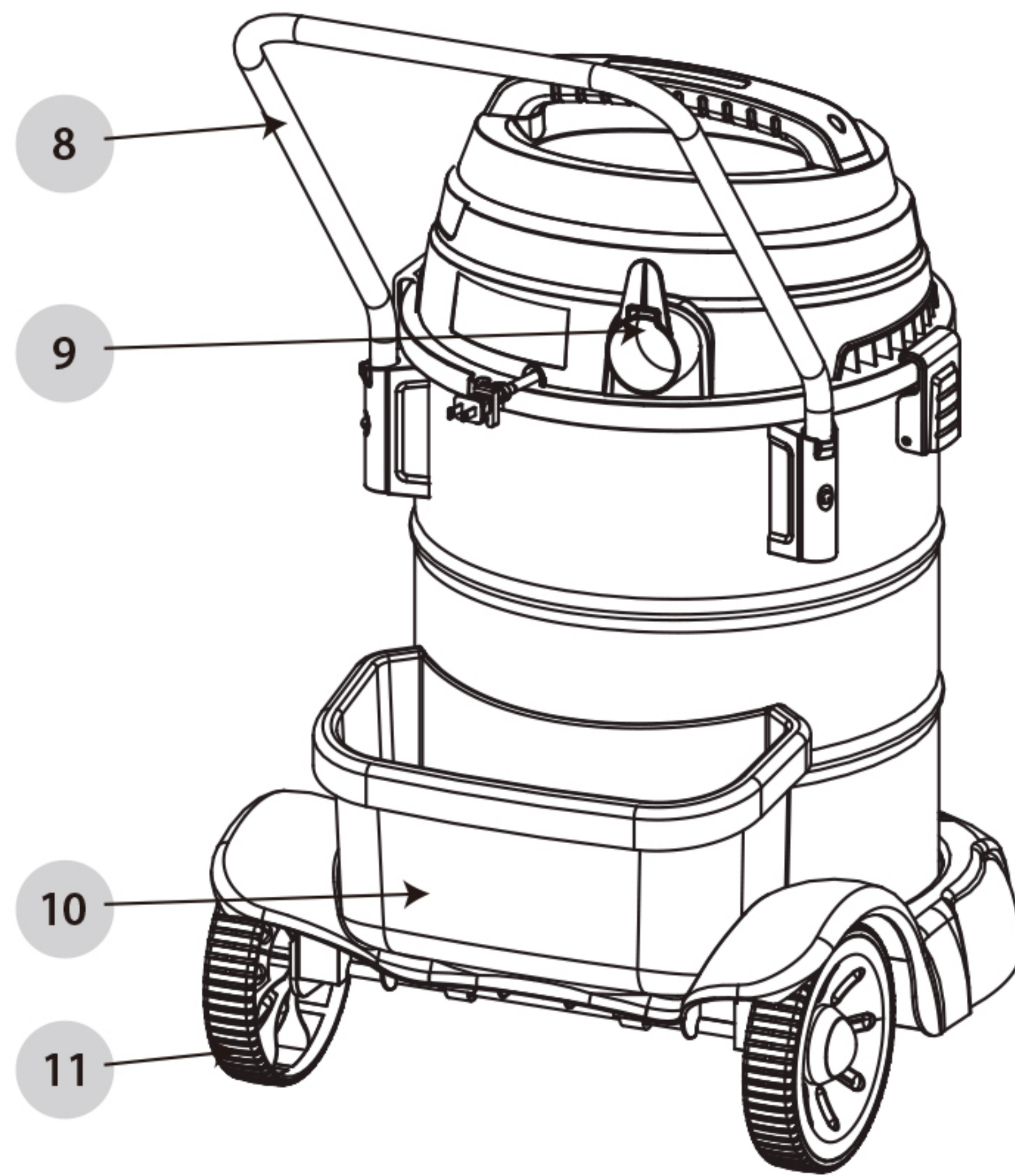
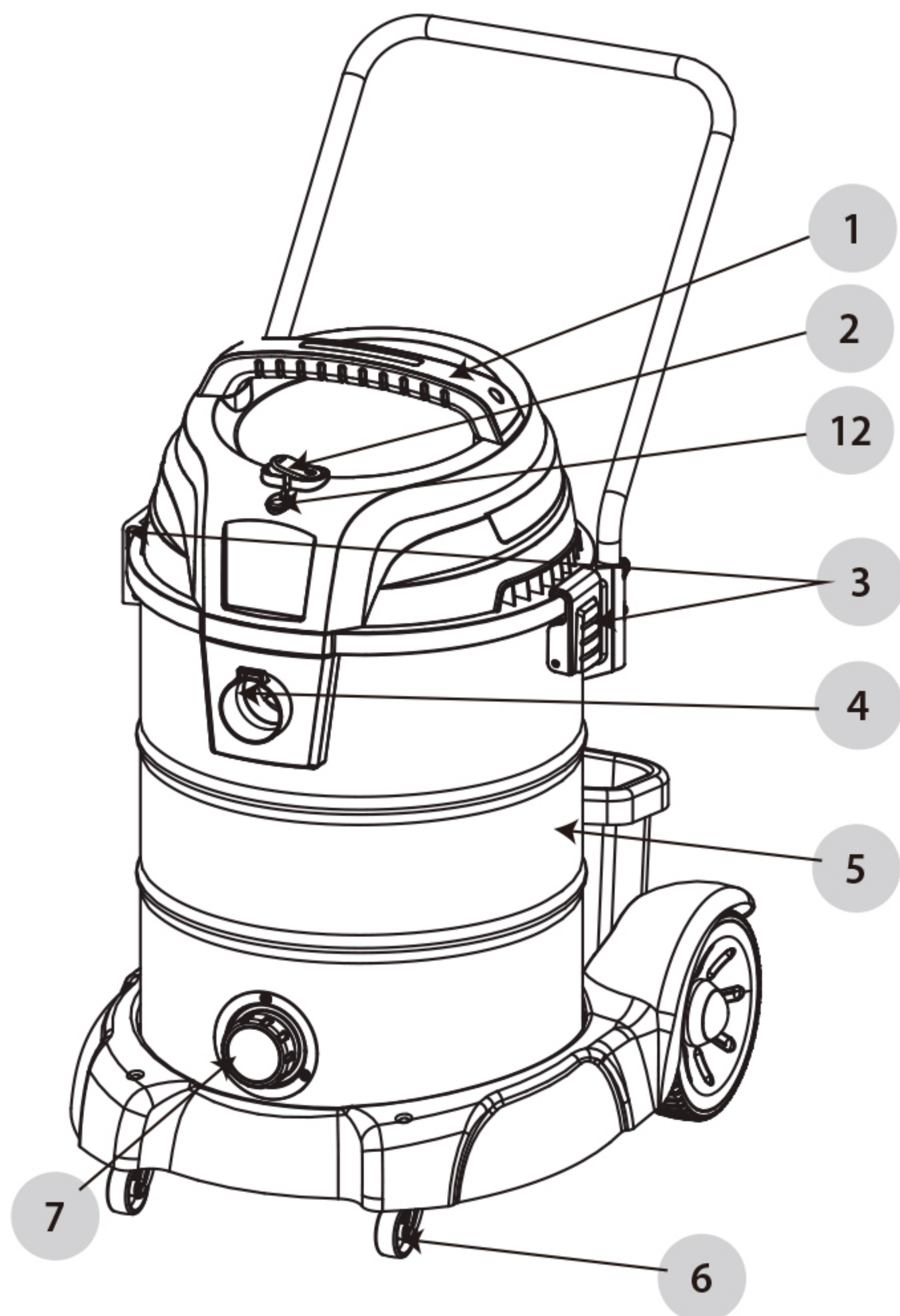
- Pull lid latches in an outward motion, remove tank cover and any accessories that may have been shipped in the tank.

### Inspect:

- After unpacking the unit, carefully inspect for any damage that may have occurred during transit. Check for loose, missing or damaged parts. Shipping damage claims must be filed with the carrier.

**See Important Safety Instructions on Page 2 and 3, and Cautions and Warnings as shown.**

## PACKAGE CONTENTS



Part	Description	Part No.	Qty
A	12' x 1 <sup>7</sup> / <sub>8</sub> " Hose	19-1104	1
B	Extension wand	19-1200	2
C	Round brush	61HW16	1
D	Crevice nozzle	61HW18	1
E	Floor nozzle	19-1900D	1
F	Disposable dust bag	61HW10	1
G	Foam filter	61HW04	1
H	Cartridge filter	61HW01	1
I	Retainer cap	783GC1	1
J	Claw nozzle	61HW17	1
K	Utility nozzle	19-1300	1
L	Squeegee	19-1901	1
M	Muffler	783GA7	1
N	Gasket	J1580870001	2
O	Split pin	J2840890021	2
P	Axle	J2853500034	1
Q	Wheel cap	Q00013350011	2

Cleaner Description	
Item	Description
1	Handle
2	Power Switch
3	Lid Latch
4	Vacuum Port
5	Dust Tank
6	Caster
7	Drain port
8	Transport handle
9	Blower port
10	Tool storage basket
11	Rear wheel
12	Dust-full indicator