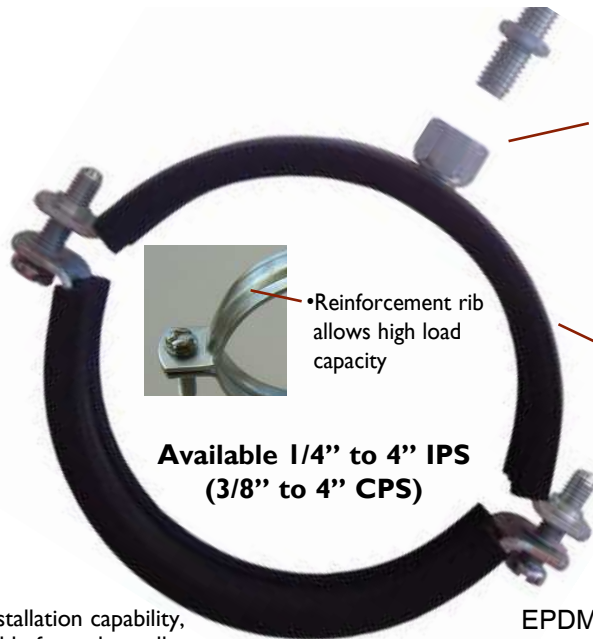


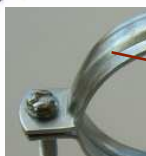
Split Ring Rubber Lined Hanger

The **ULTIMATE** Vibration & Sound Control System
 Corrosion Control- Protects against metal to metal contact

- Two piece design of heavy duty galvanized steel with 2 lock bolts
- Allows for adjustments to accommodate varying pipe sizes



•For use with 3/8" threaded rod



•Reinforcement rib allows high load capacity

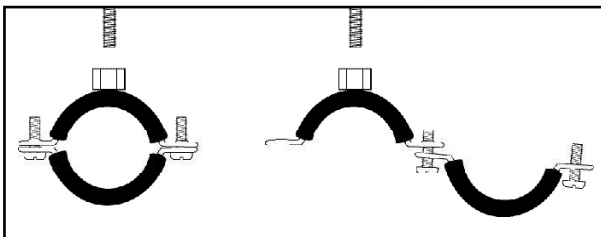
**Available 1/4" to 4" IPS
 (3/8" to 4" CPS)**

•Rubber lining eliminates pipe rattling and vibration while holding the pipe firmly

•Design of lining and clamp prevent lining from slipping out

Hang pipe from wood, concrete, steel beams, struts or sheet metal.

- 360° installation capability, adjustable from the wall, ceiling or floor



Two-piece Stainless Steel Clamps available with or without rubber insulation

EPDM rubber sleeve provides an average of 20dBA noise reduction. Corrosion-resistant electro-galvanized steel construction.

Meet Federal Specifications MSS SP-58 and SP-69 (Type 12), and DIN EN 13501-1:E fire rating standard.

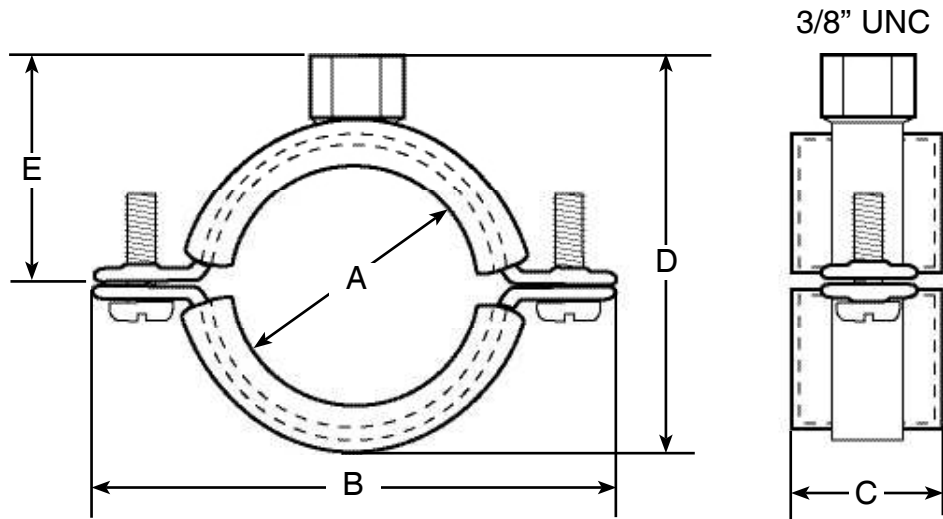
Temp. range: -58° to 230°F

Item #	IPS	CPS	MM
2540100A	1/4"	3/8"	12-15
2540101A	3/8"	1/2"	16-19
2540102A	1/2"	3/4"	20-25
2540103A	3/4"	1"	25-30
2540104A	1"	1-1/4"	33-37
2540105A	1-1/4"	1-1/2"	42-46
2540106A	1-1/2"	2"	47-52
2540107A	1-3/4"		54-58
2540108A	2"	2-1/2"	59-63
2540109A	2-1/2"	3"	73-77
2540110A	3"		88-90
2540111A		4"	99-103
2540112A	4"		110-114

The information contained herein is produced in good faith and is believed to be reliable but is for guidance only. ARGCO and its agents cannot assume liability or responsibility for results obtained in the use of its product by persons whose methods are outside or beyond our control. It is the user's responsibility to determine the suitability of any of the products, methods of use, or preparation prior to use, mentioned in our literature. It is the user's responsibility to observe and adapt such precautions as may be advisable for the protection of personnel and property in the handling and use of any of our products.

**FOR MORE INFORMATION CALL ARGCO AT 1-800-854-1015
 OR LOG ONTO WWW.ARGCO.COM**

SONIC CLAMPS



Item #	A			B	C	D	E
	IPS	CPS	MM				
25-40-100A	1/4"	3/8"	12-15	2-1/2"	7/8"	1-15/16"	1-1/4"
25-40-101A	3/8"	1/2"	16-19	2-3/4"	7/8"	2-3/16"	1-3/8"
25-40-102A	1/2"	3/4"	20-25	2-15/16"	7/8"	2-3/8"	1-7/16"
25-40-103A	3/4"	1"	25-30	3-1/8"	7/8"	2-5/8"	1-9/16"
25-40-104A	1"	1-1/4"	33-37	3-5/8"	7/8"	3-1/16"	1-13/16"
25-40-105A	1-1/4"	1-1/2"	42-46	3-7/8"	7/8"	3-1/4"	1-7/8"
25-40-106A	1-1/2"	2"	47-52	4-1/8"	7/8"	3-9/16"	2-1/16"
25-40-107A	1-3/4"		54-58	4-3/8"	7/8"	3-3/4"	2-3/16"
25-40-108A	2"	2-1/2"	59-63	4-15/16"	1-1/8"	4-5/16"	2-3/8"
25-40-109A	2-1/2"	3"	73-77	5-11/16"	1-1/8"	4-7/8"	2-3/4"
25-40-110A	3"		88-90	6-3/8"	1-1/8"	5-1/2"	3"
25-40-111A		4"	99-103	6-7/8"	1-1/8"	5-7/8"	3-3/16"
25-40-112A	4"		110-114	7-3/8"	1-1/8"	6-7/16"	3-1/2"

Size:	Tensile Breaking Strength	Max. Recommended Loading
3/8" to 2-1/2"	1011 lb.	337 lb.
3" to 4-1/2"	2135 lb.	711 lb.

Rubber insulation temperature rating: -50° F to 220° F

EPDM RUBBER INSULATION

- Average vibration reduction of up to 20 dB through 6 mm cylindrical profile.
 - Prevents the occurrence of friction and stiction noises caused by thermal, axial expansion of the pipe.
 - Prevents the build-up of forces on the attachment due to the good rolling action of the lining.
 - Clip-over edges prevent the lining from slipping out of the clamp.
 - Silicone-free
-
- Complies with the requirements of DIN 4109; average noise reduction of 20 dBA
 - Conforms with Manufacturers Standardization Society (MSS) SP-58 and SP-69 (Type 12)
 - Has a fire rating DIN EN 13501-1:E
 - Has an operating temperature range of -58°F (-50°C) up to +230°F (110°C)

SPECIFICATIONS

HARDNESS	45+ - 5 Shore A
SPECIFIC WEIGHT	1.25 + - 0.02 g/cm ³
ELONGATION AT TEAR	>400%
TENSILE STRENGTH	>5MPa
REBOUND RESILIENCE	>40%
PERM. DEFORM 24 HR=100°C	>30%
VOLUME RESISTANCE	4,2 x 10 ²
SURFACE RESISTANCE	6,2 x 10 ²
AGEING BEHAVIOR	DIN 78078 type 6
OZONE RESISTANCE	resistant
UV-LIGHT FASTNESS	resistant
WEATHERING RESISTANCE	resistant
TEMPERATURE RESISTANCE	-58°F (-50°C) up to +230°F (110°C)
RESISTANT AGAINST	diluted acids and alkalids at norm temperature alcoholic solutions esters and ketones
LIMITED RESISTANCE AGAINST	animal and vegetable fats and oils fats and mineral oils
NOT RESISTANT AGAINST	hot oils and fats fuels alliphataic and aromatic hydrocarbons
FIRE BEHAVIOR	Fire Rating: DClass 2 during fire, drippings will not spread flame.
MISCELLANEOUS	Free of nitrosamines and nitrosamine-generating substances, free of halogens, free of silicone-containing substances.

Suitable for outdoor use.