

STAINLESS STEEL SPLIT RING RUBBER LINED HANGER

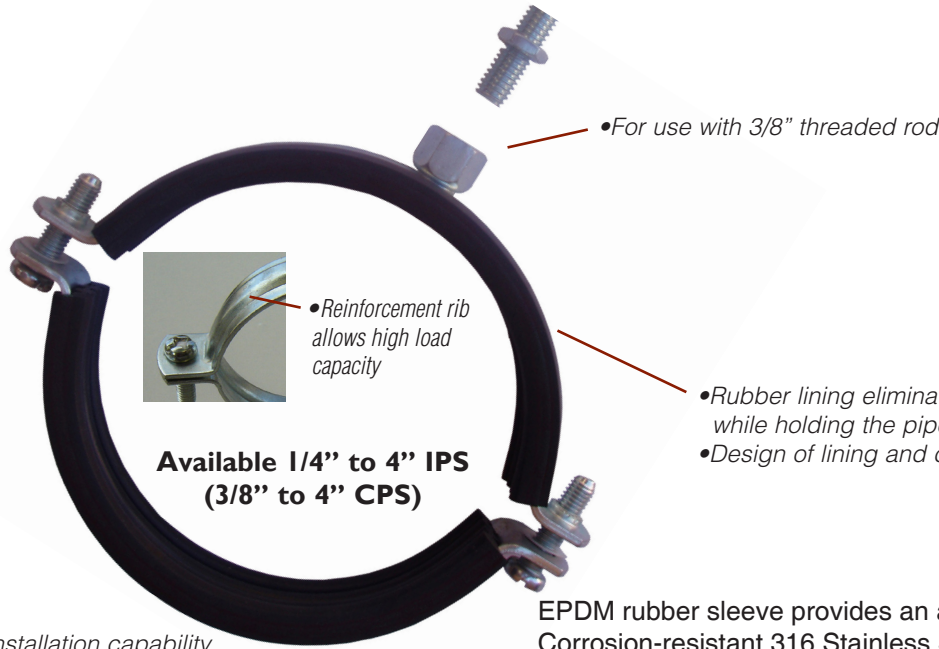


The **ULTIMATE** Vibration & Sound Control System Corrosion Control- Protects against metal to metal contact

- Two piece design of heavy duty 316 Stainless steel with 2 lock bolts
- Allows for adjustments to accommodate varying pipe sizes



Hang pipe from wood, concrete, steel beams, struts or sheet metal.

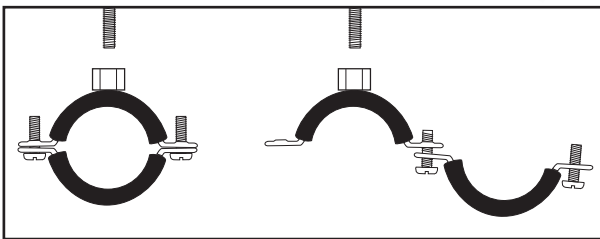


**Available 1/4" to 4" IPS
(3/8" to 4" CPS)**

•360° installation capability, adjustable from the wall, ceiling or floor

EPDM rubber sleeve provides an average of 20dBA noise reduction. Corrosion-resistant 316 Stainless Steel construction.

Meet Federal Specifications MSS SP-58 and SP-69 (Type 12), and DIN EN 13501-1:E fire rating standard.

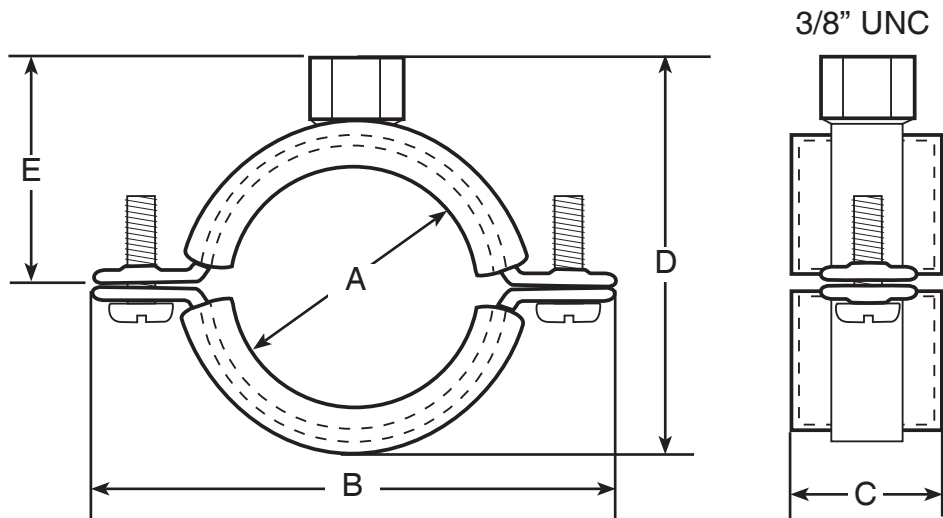


Temp. range:
-58° to 230°F

Item #	IPS	CPS	MM
2540610	1/4"	3/8"	12-15
2540611	3/8"	1/2"	16-19
2540612	1/2"	3/4"	20-25
2540613	3/4"	1"	25-30
2540614	1"	1-1/4"	33-37
2540615	1-1/4"	1-1/2"	42-46
2540616	1-1/2"	2"	47-52
2540618	2"	2-1/2"	59-63
2540619	2-1/2"	3"	73-77
2540620	3"		88-90
2540621	3-1/2"	4"	99-103
2540622	4"		110-114

System No.		Location		Spec Section		Paragraph	
Submitted By		Date		Approved		Date	

STAINLESS STEEL SPLIT RING RUBBER LINED HANGER



Item #	A			B	C	D	E
	IPS	CPS	MM				
2540610	1/4"	3/8"	12-15	2-1/2"	7/8"	1-15/16"	1-1/4"
2540611	3/8"	1/2"	16-19	2-3/4"	7/8"	2-3/16"	1-3/8"
2540612	1/2"	3/4"	20-25	2-15/16"	7/8"	2-3/8"	1-7/16"
2540613	3/4"	1"	25-30	3-1/8"	7/8"	2-5/8"	1-9/16"
2540614	1"	1-1/4"	33-37	3-5/8"	7/8"	3-1/16"	1-13/16"
2540615	1-1/4"	1-1/2"	42-46	3-7/8"	7/8"	3-1/4"	1-7/8"
2540616	1-1/2"	2"	47-52	4-1/8"	7/8"	3-9/16"	2-1/16"
2540618	2"	2-1/2"	59-63	4-15/16"	1-1/8"	4-5/16"	2-3/8"
2540619	2-1/2"	3"	73-77	5-11/16"	1-1/8"	4-7/8"	2-3/4"
2540620	3"		88-90	6-3/8"	1-1/8"	5-1/2"	3"
2540621		4"	99-103	6-7/8"	1-1/8"	5-7/8"	3-3/16"
2540622	4"		110-114	7-3/8"	1-1/8"	6-7/16"	3-1/2"

Size:	Tensile Breaking Strength	Max. Recommended Loading
3/8" to 2-1/2"	1011 lb.	337 lb.
3" to 4"	2135 lb.	711 lb.

Rubber insulation temperature rating: -50° F to 220° F

System No.		Location		Spec Section		Paragraph	
Submitted By		Date		Approved		Date	

EPDM RUBBER INSULATION

- Average vibration reduction of up to 20 dB through 6 mm cylindrical profile.
- Prevents the occurrence of friction and stiction noises caused by thermal, axial expansion of the pipe.
- Prevents the build-up of forces on the attachment due to the good rolling action of the lining.
- Clip-over edges prevent the lining from slipping out of the clamp.
- Silicone-free

- Complies with the requirements of DIN 4109; average noise reduction of 20 dBA
- Conforms with Manufacturers Standardization Society (MSS) SP-58 and SP-69 (Type 12)
- Has a fire rating DIN EN 13501-1:E
- Has an operating temperature range of -58°F (-50°C) up to +230°F (110°C)

SPECIFICATIONS

HARDNESS	45+ - 5 Shore A
SPECIFIC WEIGHT	1.25 + - 0.02 g/cm ³
ELONGATION AT TEAR	>400%
TENSILE STRENGTH	>5MPa
REBOUND RESILIENCE	>40%
PERM. DEFORM 24 HR=100°C	>30%
VOLUME RESISTANCE	4,2 x 10 ²
SURFACE RESISTANCE	6,2 x 10 ²
AGEING BEHAVIOR	DIN 78078 type 6
OZONE RESISTANCE	resistant
UV-LIGHT FASTNESS	resistant
WEATHERING RESISTANCE	resistant
TEMPERATURE RESISTANCE	-58°F (-50°C) up to +230°F (110°C)

RESISTANT AGAINST diluted acids and alkalids at norm temperature
alcoholic solutions
esters and ketones

LIMITED RESISTANCE AGAINST animal and vegetable fats and oils fats and mineral oils

NOT RESISTANT AGAINST hot oils and fats
fuels
alliphataic and aromatic hydrocarbons

FIRE BEHAVIOR Fire Rating: DClass 2 during fire, drippings will not spread flame.

MISCELLANEOUS Free of nitrosamines and nitrosamine-generating substances, free of halogens,
free of silicone-containing substances.

Suitable for outdoor use.

System No.		Location		Spec Section		Paragraph	
Submitted By		Date		Approved		Date	