

STAINLESS STEEL WALL PLATES



STAINLESS STEEL SPLIT RING WALL PLATES

Hinged floor and ceiling plate

Available 1/4" to 10" ips and 3/8" to 4" cps

- 304 Stainless Steel
- .063 Thick
- 1/2" deep

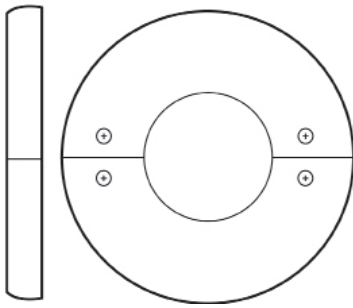


MADE IN USA



ARGCO also offers heavy gauge steel, light gauge steel, plastic, aluminum, forged steel and forged brass wall plates. Visit argco.com for details.

ITEM #	PIPE SIZE	INNER DIMENSION	OUTER DIMENSION
4521101SS	3/4" IPS	1-1/8"	4-1/8"
4521102SS	1" IPS	1-3/8"	4-3/8"
4521103SS	1-1/4" IPS & 1-1/2" CPS	1-3/4"	4-3/4"
4521104SS	1-1/2" IPS	2"	5"
4521105SS	2" IPS	2-7/16"	5-7/16"
4521106SS	2-1/2" IPS	2-15/16"	5-15/16"
4521106SS-3	3" IPS	3-9/16"	6-9/16"
4521107SS	4" IPS	4-9/16"	7-9/16"
4521108SS	5" IPS	5-5/8"	8-5/8"
4521109SS	6" IPS	6-13/16"	9-13/16"
4521111SS	8" IPS	8-15/16"	11-15/16"
4521112SS	10" IPS	10-3/4"	13-3/4"
4521113SS	12" IPS	12-13/16"	15-13/16"
4521114SS	14" IPS	14"	17"



STAINLESS STEEL SPLIT RING WALL PLATES with Set Screw

Hinged floor and ceiling plate with Set Screw

Available 1/4" to 2-1/2" ips and 3/8" to 2-15/16" cps

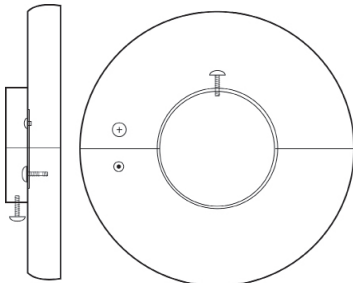
- 304 Stainless Steel
- .063 Thick
- 1" Deep



MADE IN USA



ITEM #	PIPE SIZE	INNER DIMENSION	OUTER DIMENSION
4519205SS	1" IPS	1-3/8"	4-3/8"
4519206SS	1-1/4" CPS	1-3/8"	4-3/8"
4519210SS	1-1/4" IPS	1-3/4"	4-1/2"
4519215SS	1-1/2" IPS	2"	5"
4519220SS	2" IPS	2-7/16"	5-7/16"
4519225SS	2-1/2" IPS	2-15/16"	5-15/16"



System No.		Location	Spec Section		Paragraph
Submitted By		Date	Approved		Date