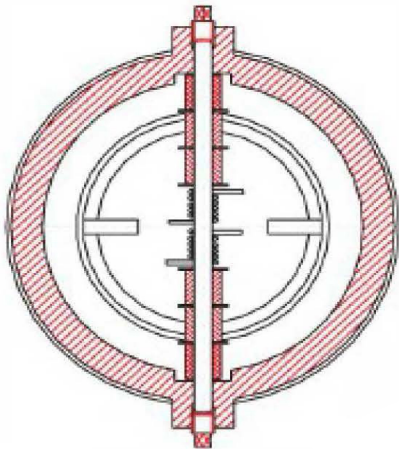
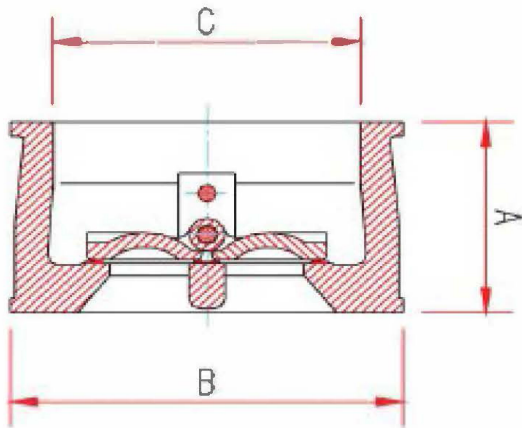


WAFER CHECK VALVES (DOUBLE DOOR)



Technical Features

- Design and Dimensions conform to UL
- Stainless steel disc and spring for excellent corrosion resistance
- Flanged to ANSI B16.1 Class 125



COMPONENT	MATERIAL
Valve Body	ASTM A536 65-45-12
Disc	AISI 316
Stem	AISI 420
Spring	AISI 304
Rubber Seat	EPDM
Screw	Carbon Steel
Shaft Seal	EPDM
Washers	PTFE

PRESSURE AND TEMPERATURE	
Working Pressure	300 PSI
Working Temperature	0°-80°

VALVE SIZE	PART #	A	B	C
4"	6520285	2.64	6.38	4.61
6"	6520286	3.74	8.58	6.69
8"	6520287	5.00	10.87	8.90



The information contained herein is produced in good faith and is believed to be reliable but is for guidance only. ARGCO and its agents cannot assume liability or responsibility for results obtained in the use of its product by persons whose methods are outside or beyond our control. It is the user's responsibility to determine the suitability of any of the products, methods of use, or preparation prior to use, mentioned in our literature. It is the user's responsibility to observe and adapt such precautions as may be advisable for the protection of personnel and property in the handling and use of any of our products.

System No.		Location		Spec Section		Paragraph	
Submitted By		Date		Approved		Date	