

WELD-O-LET
GROOVED WELDED OUTLET



ISLAND INDUSTRIES

Memphis, Tennessee



MADE IN USA

Type 40 Standard Weight Cut Groove Outlet
Carbon Steel Branch Outlet for Fire Protection and other low pressure piping systems

MATERIALS: Highly weldable grade black carbon steel equal to or exceeding the requirements of the American Society of Testing and Materials specifications.

UL/ULC/FM WORKING PRESSURE: Up to 500 CWP in PSI
 Pressures have been established using listed and/or approved couplings and fitting of equal or higher ratings.
 Listed and approved to be used with every manufacturers' brand of sprinkler pipe.

QUALITY: Grooves and bevels are constantly checked for proper alignment and concentricity, uniform depth, taper and degree, as applicable, conforming to established industry standards.

MARKING: For identification, each fitting bears the name "ISLAND" along with figure number and end preparation designation, header size in inches and UL and FM markings indicating listing and approval.

FINISH: Fittings are cleaned to bare metal internally and externally and protected with a smokeless rust inhibitor giving a lasting finish to extend shelf life.

PACKAGING: Packaged in corrugated cartons; palletized and sealed with shrink wrap plastic. Thread protectors are provided with #40MT to insure quality from factory to job site.

Suggested Fire Protection Specification:

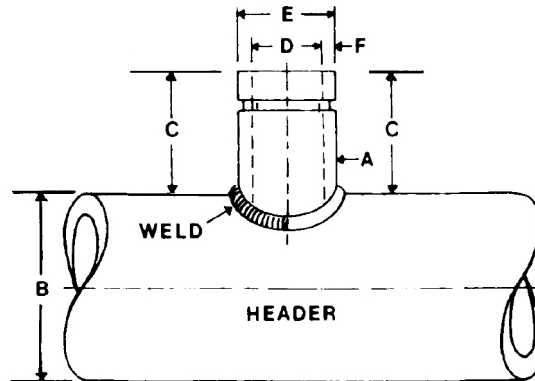
Welding branch outlet fittings employing cut or roll groove, male thread or buttweld bevel shall be U.L. / U.L.C. listed and F.M. approved conforming to NFPA, Bulletin 13, of Domestic Manufacture.

System No.		Location		Spec Section		Paragraph	
Submitted By		Date		Approved		Date	

ISLAND INDUSTRIES

DIMENSIONS & WEIGHTS

TYPE 40CG STANDARD WEIGHT CUT GROOVE



NOM OUTLET SIZE "A"	NOM HEADER SIZE "B"	STD LENGTH "C"	INSIDE DIAMETER "D"	OUTSIDE DIAMETER "E"	WALL THICKNESS "F"	APPROX WEIGHT EACH	BOX QTY
1"	1"	3	1.049	1.315	0.133	0.44	50
	1 1/4"	3	1.049	1.315	0.133	0.44	50
	1 1/2"	3	1.049	1.315	0.133	0.44	50
	2"	3	1.049	1.315	0.133	0.44	50
	2-1/2"	3	1.049	1.315	0.133	0.44	50
	3"	3	1.049	1.315	0.133	0.44	50
	4"	3	1.049	1.315	0.133	0.44	50
	5"	3	1.049	1.315	0.133	0.44	50
	6"	3	1.049	1.315	0.133	0.44	50
8"	3	1.049	1.315	0.133	0.44	50	
1 1/4"	1 1/4"	3	1.368	1.66	0.140	0.56	50
	1 1/2"	3	1.368	1.66	0.140	0.56	50
	2"	3	1.368	1.66	0.140	0.56	50
	2-1/2"	3	1.368	1.66	0.140	0.56	50
	3"	3	1.368	1.66	0.140	0.56	50
	4"	3	1.368	1.66	0.140	0.56	50
	5"	3	1.368	1.66	0.140	0.56	50
	6"	3	1.368	1.66	0.140	0.56	50
8"	3	1.368	1.66	0.140	0.56	50	
1 1/2"	1 1/2"	3	1.61	1.900	0.145	0.7	50
	2"	3	1.61	1.900	0.145	0.7	50
	2-1/2"	3	1.61	1.900	0.145	0.7	50
	3"	3	1.61	1.900	0.145	0.7	50
	4"	3	1.61	1.900	0.145	0.7	50
	5"	3	1.61	1.900	0.145	0.7	50
	6"	3	1.61	1.900	0.145	0.7	50
8"	3	1.61	1.900	0.145	0.7	50	
2"	2"	3	2.067	2.375	0.154	0.9	50
	2-1/2"	3	2.067	2.375	0.154	0.9	50
	3"	3	2.067	2.375	0.154	0.9	50
	3-1/2"	3	2.067	2.375	0.154	0.9	50
	4"	3	2.067	2.375	0.154	0.9	50
	5"	3	2.067	2.375	0.154	0.9	50
	6"	3	2.067	2.375	0.154	0.9	50
	8"	3	2.067	2.375	0.154	0.9	50

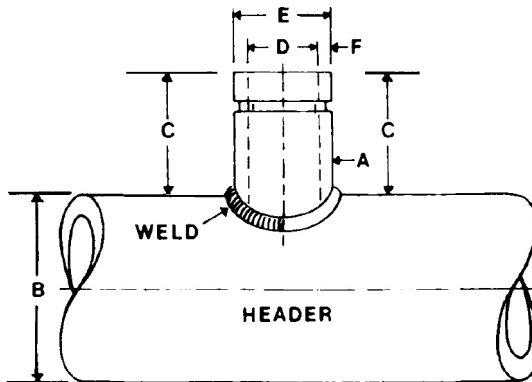
WELD-O-LET
GROOVED WELDED OUTLET



ISLAND INDUSTRIES

Memphis, Tennessee

DIMENSIONS & WEIGHTS
TYPE 40CG STANDARD WEIGHT CUT GROOVE



NOMINAL OUTLET SIZE "A"	NOMINAL HEADER SIZE "B"	STANDARD LENGTH "C"	INSIDE DIAMETER "D"	OUTSIDE DIAMETER "E"	WALL THICKNESS "F"	APPROX WEIGHT EACH	BOX QTY
2-1/2"	2-1/2"	3	2.469	2.875	0.203	1.4	32
	3"	3	2.469	2.875	0.203	1.4	32
	3-1/2"	3	2.469	2.875	0.203	1.4	32
	4"	3	2.469	2.875	0.203	1.4	32
	5"	3	2.469	2.875	0.203	1.4	32
	6"	3	2.469	2.875	0.203	1.4	32
3"	3"	3	3.068	3.500	0.216	2.1	20
	3-1/2"	3	3.068	3.500	0.216	2.1	20
	4"	3	3.068	3.500	0.216	2.1	20
	5"	3	3.068	3.500	0.216	2.1	20
	6"	3	3.068	3.500	0.216	2.1	20
4"	4"	4	4.026	4.500	0.237	3.4	10
	5"	4	4.026	4.500	0.237	3.4	10
	6"	4	4.026	4.500	0.237	3.4	10
	8"	4	4.026	4.500	0.237	3.4	10
5"	5"	4	5.047	5.563	0.258	5.0	8
	6"	4	5.047	5.563	0.258	5.0	8
	8"	4	5.047	5.563	0.258	5.0	8
6"	6"	4	6.065	6.625	0.280	7.0	4
	8"	4	6.065	6.625	0.280	7.0	4
8"	8"	4	7.981	8.625	0.277	10.4	2

System No.		Location		Spec Section		Paragraph	
Submitted By		Date		Approved		Date	