

**PURGENVENT™**

**Model 7910MAV**

WWW.PURGENVENT.COM

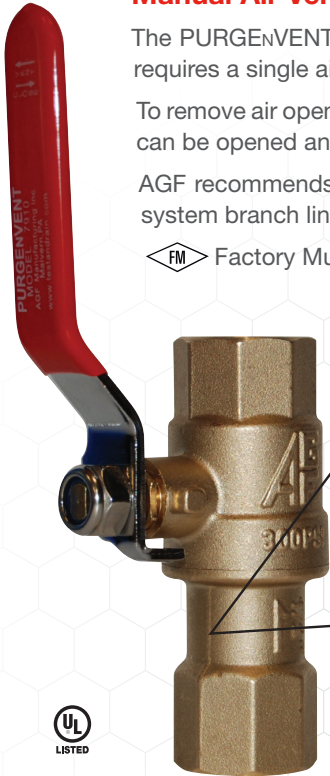
**Manual Air Venting Valve**

The PURGENVENT™ Model 7910MAV Manual Air Venting Valve is designed to exceed NFPA 13 code that requires a single air vent be provided on each wet pipe sprinkler system utilizing metallic pipe.

To remove air open the valve while the system is being filled. Once the system is in operation the M7910MAV can be opened and closed in rapid succession to vent any remaining air.

AGF recommends installing the M7910MAV at high points of the riser and at high points near the end of system branch lines, whenever possible.

 Factory Mutual does not offer an approval standard for manual air venting valves.



1. Ball Float
2. Strainer Screen

**NFPA 13 (2016)**

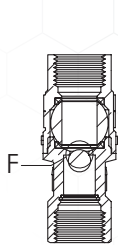
**7.1.5 Air Venting**

A single air vent with a connection conforming to 8.16.6 shall be provided on each wet pipe system utilizing metallic pipe.

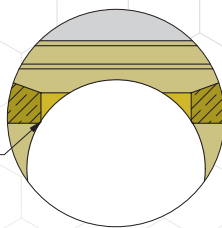
**8.16.6\* Air Venting**

The vent required by 7.1.5 shall be located near a high point in the system to allow air to be removed from that portion of the system by one of the following methods:

- Manual valve, minimum 1/2" (15mm) size
- Automatic air vent
- Other approved means



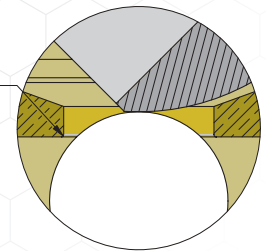
FLOAT SEALED TO SEAT WITH WATER AND PRESSURE



DETAIL F



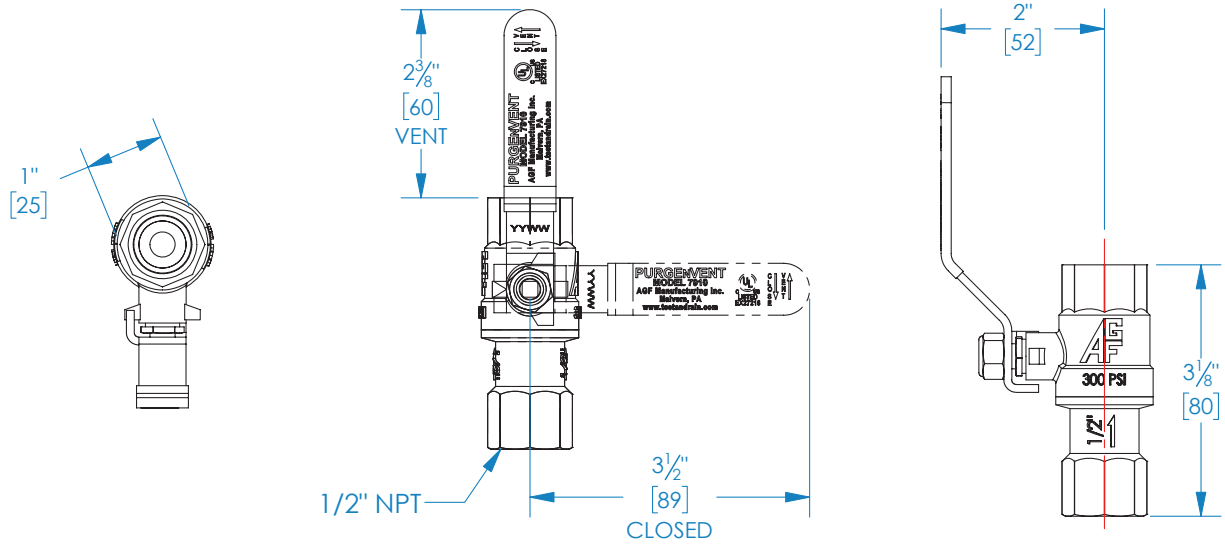
MAIN BALL MOVES FLOAT OFF SEAT



DETAIL H

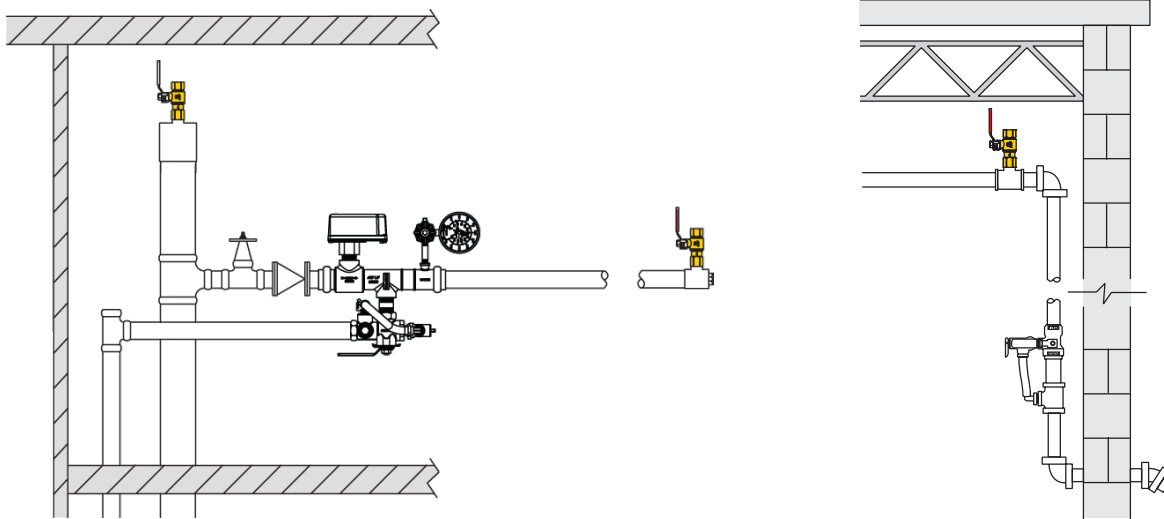


## Model 7910MAV Dimensions



## Model 7910MAV Installation Locations

AGF recommends installing the M7910MAV Manual Air Venting Valve at high points of the riser and at high points near the end of system branch lines, whenever possible.



Item ID	Item Description
7910MAV	1/2" Manual Air Venting Valve

System No.		Location		Spec Section		Paragraph	
Submitted By		Date		Approved		Date	