

PURGEVENT

Model 7900AAV

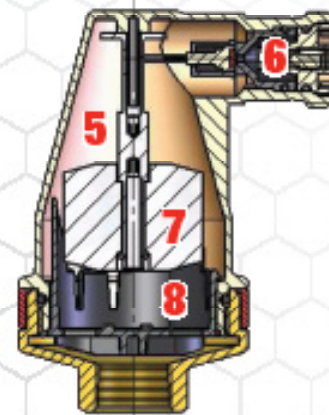
WWW.PURGENVENT.COM

Automatic Air Venting Valve

The PURGEVENT™ Model 7900AAV Automatic Air Venting Valve is designed to exceed NFPA 13 code that requires a single air vent be provided on each wet pipe sprinkler system utilizing metallic pipes.

To rapidly remove air from the system attach a hose to the purge valve's hose connection and open the valve while the system is being filled. Once the system is in operation the automatic vent will release any excess air. The purge valve is also convenient for cleaning the strainer.

AGF recommends installing the M7900AAV at high points near the end of system branch lines, whenever possible.



NFPA 13 (2016)



7.1.5 Air Venting

A single air vent with a connection conforming to 6.16.8 shall be provided on each wet pipe system utilizing metallic pipe.

6.16.8 Air Venting

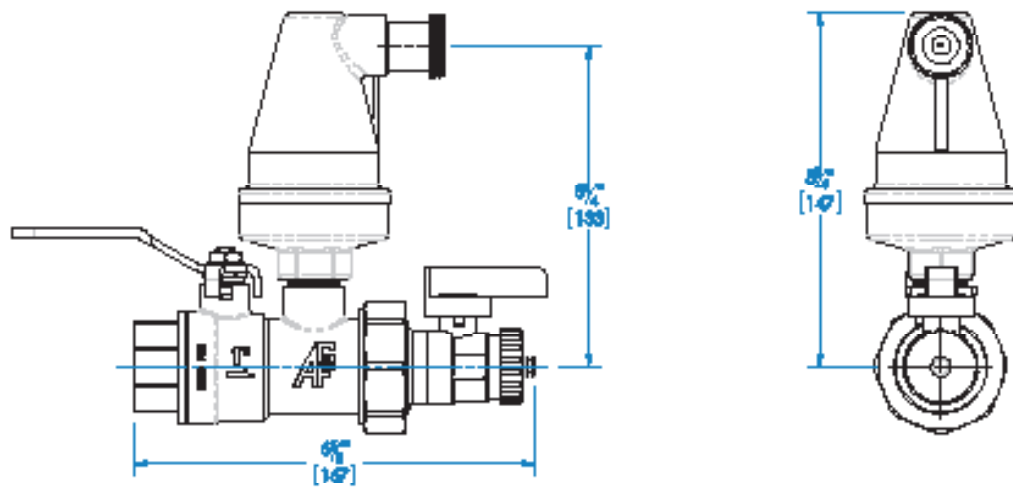
The vent required by 7.1.5 shall be located near a high point in the system to allow air to be removed from that portion of the system by one of the following methods:

- Manual valve, minimum 1/2" (15mm) size
- Automatic air vent
- Other approved means

1. Patented,  FM Approved,  UL Listed M7900V Air Release Valve.
2. Forged brass body with 1" NPT isolation valve.
3. Stainless Steel 20 mesh strainer.
4. Adjustable purge valve with hose connection, thread cap, and lanyard.
5. Unique conical shape maximizes clearance to protect valve from contamination.
6. Recessed venting valve prevents damage to vent mechanism and float.
7. Single float on rigid shaft only allows vertical movement.
8. Bubble Breaker aids in the passage of air to the vent and acts as a secondary filter.

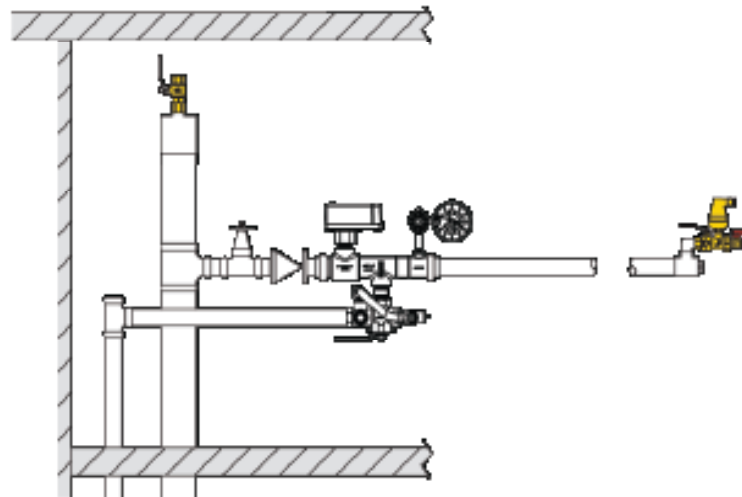


Model 7900AAV Dimensions



Model 7900AAV Installation Locations

AGF recommends installing the M7900AAV Automatic Air Venting Valve at high points near the end of system branch lines, whenever possible.



Item ID	Item Description
7900AAV	1" Automatic Air Venting Valve

System No.		Location		Spec Section		Paragraph	
Submitted By		Date		Approved		Date	

PURGENVENT™

Model 7910MAV

WWW.PURGENVENT.COM

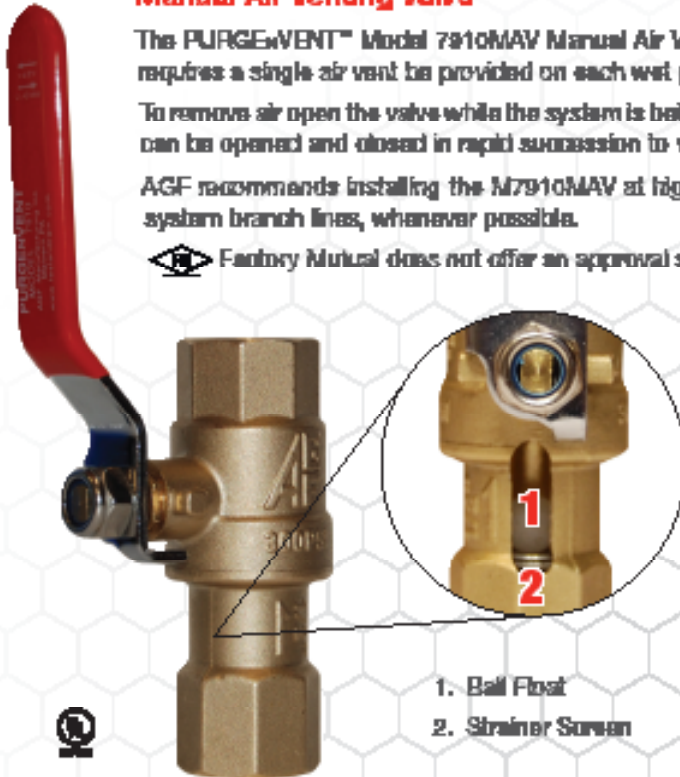
Manual Air Venting Valve

The PURGENVENT™ Model 7910MAV Manual Air Venting Valve is designed to exceed NFPA 13 code that requires a single air vent be provided on each wet pipe sprinkler system utilizing metallic pipe.

To remove air open the valve while the system is being filled. Once the system is in operation the M7910MAV can be opened and closed in rapid succession to vent any remaining air.

AGF recommends installing the M7910MAV at high points of the riser and at high points near the end of system branch lines, whenever possible.

 Factory Mutual does not offer an approval standard for manual air venting valves.



NFPA 13 (2016)

7.1.6 Air Venting

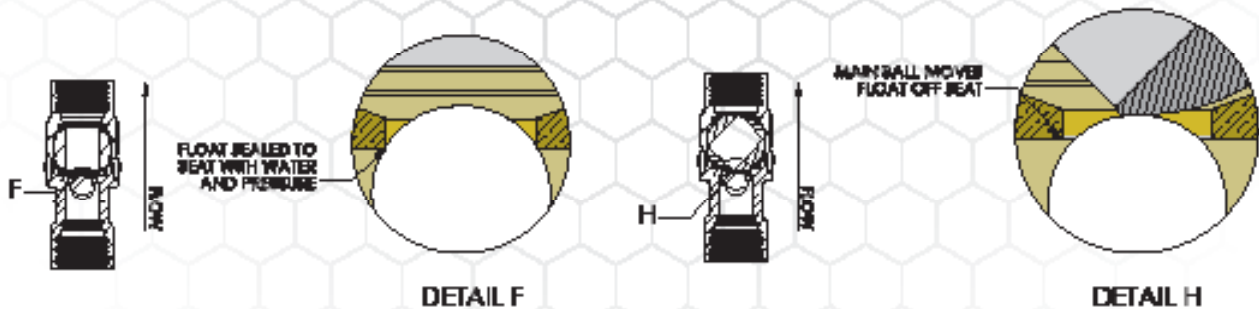
A single air vent with a connection conforming to 6.16.6 shall be provided on each wet pipe system utilizing metallic pipe.

6.16.6 Air Venting

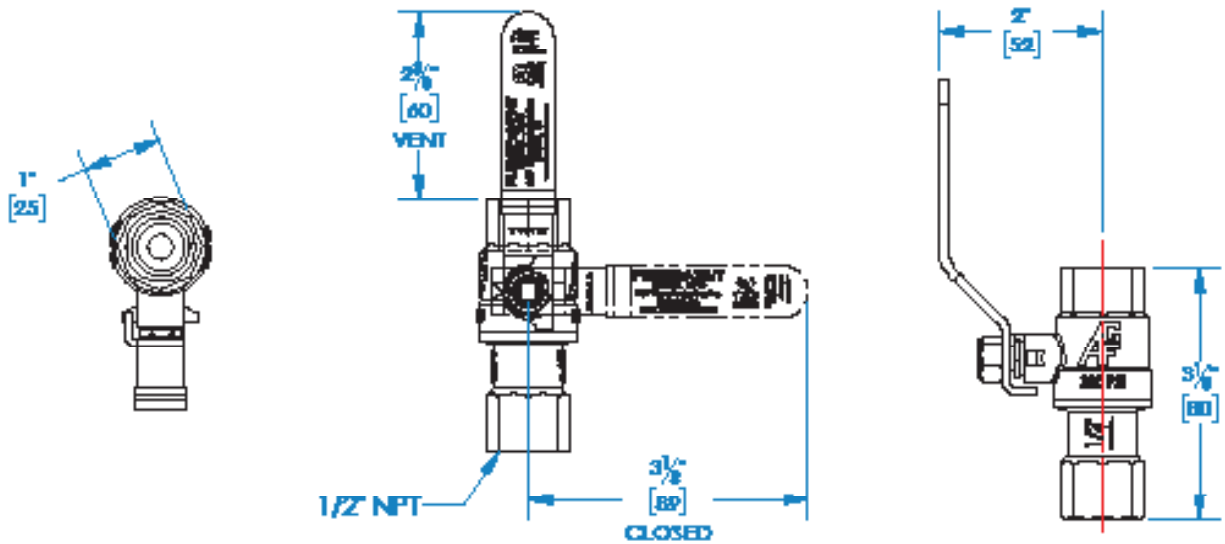
The vent required by 7.1.6 shall be located near a high point in the system to allow air to be removed from that portion of the system by one of the following methods:

- Manual valve, minimum 1/2" (15mm) size
- Automatic air vent
- Other approved means

1. Ball Float
2. Strainer Screen

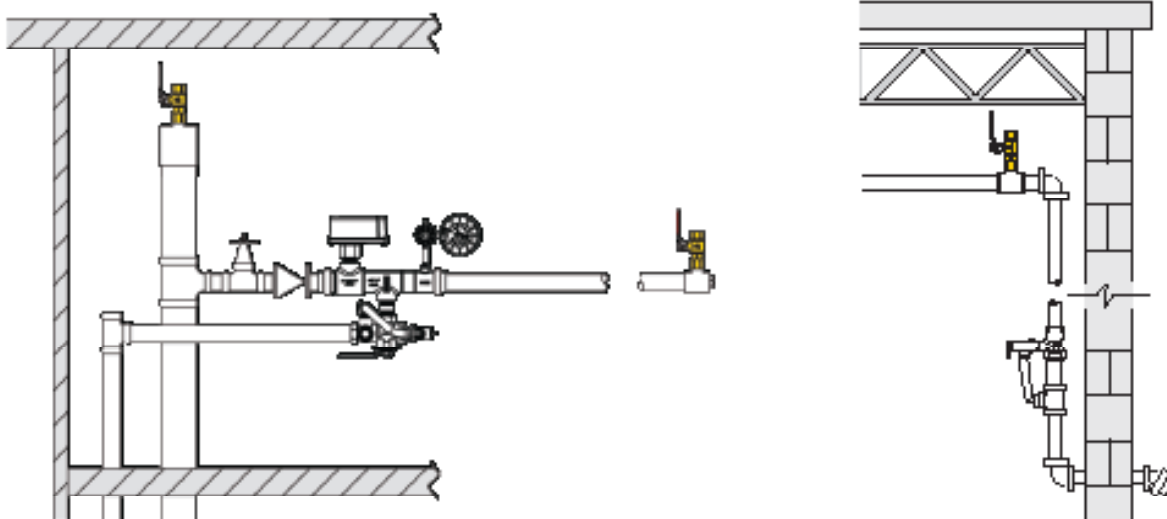


Model 7B10MAV Dimensions



Model 7B10MAV Installation Locations

AGF recommends installing the M7B10MAV Manual Air Venting Valve at high points of the riser and at high points near the end of system branch lines, whenever possible.



Item ID	Item Description
7910MAV	1/2" Manual Air Venting Valve

System No.		Location		Spec Section		Paragraph	
Submitted By		Date		Approved		Date	