



Standard Clevis

For suspension of non-insulated stationary pipe lines

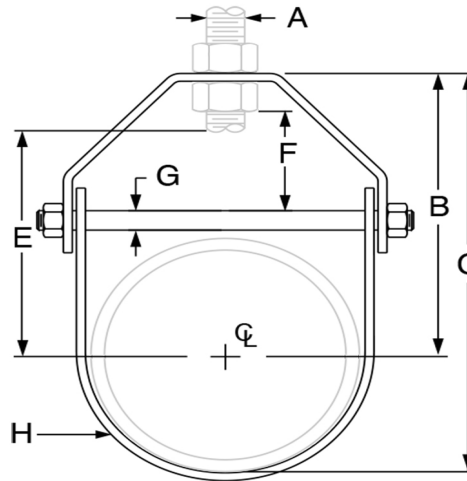
- Low carbon steel
- Finishes: Plain, Electro-Galvanized plated -- sound insulation available
- Conforms with Federal Specification WW-H-171 (Type 1),
Manufacturers Standardization Society (MSS) SP-58 and SP-69 (Type 1)



UL Listed for Plain Clevis



UL Listed and FM Approved for Galvanized Clevis



GALVANIZED ITEM #	NOMINAL PIPE SIZE	MAX. REC. LOAD LBS.	WEIGHT	ROD SIZE			ROD TAKE OUT E	ADJUSTMENT F	LOWER WIDTH	
				A	B	C			G	H
2550200-1/2	1/2"	730	0.31	3/8"	1-5/8"	2-1/8"	1-1/2"	5/8"	1/4"	1"
2550200-3/4	3/4	730	0.33	3/8"	1-3/4"	2-3/8"	1-5/16"	5/8"	1/4"	1"
2550200-1	1"	730	0.34	3/8"	2-1/16"	2-3/4"	1-5/8"	5/8"	1/4"	3/4"
2550200-1-1/4	1-1/4"	730	0.41	3/8"	2-3/8"	3-5/16"	1-11/16"	5/8"	1/4"	1"
2550200-1-1/2	1-1/2"	730	0.43	3/8"	2-15/16"	3-15/16"	2-1/8"	7/8"	1/4"	1"
2550200-2	2"	730	0.53	3/8"	3-1/4"	4-1/2"	2-5/8"	1-1/8"	1/4"	1"
2550200-2-1/2	2-1/2"	1350	0.74	1/2"	3-3/4"	5-1/4"	3-3/16"	1-5/16"	3/8"	1"
2550200-3	3"	1350	0.99	1/2"	4-1/8"	6"	4-1/16"	1-5/8"	3/8"	1"
2550200-3-1/2"	3-1/2"	1350	0.91	1/2"	4-7/16"	6-1/2"	4-3/16"	1-13/16"	3/8"	1-1/4"
2550200-4	4"	1430	1.43	5/8"	5-3/8"	8-1/8"	4-1/2"	1-11/16"	3/8"	1-1/4"
2550200-5	5"	1430	1.62	5/8"	6-13/16"	9-3/4"	5-1/2"	1-15/16"	3/8"	1-3/16"
2550200-6	6"	1940	3.26	3/4"	8-1/4"	10-1/8"	5-3/4"	1-11/16"	1/2"	1-7/16"
2550200-8	8"	2000	4.39	3/4"	9-1/2"	13	7-3/16"	2"	1/2"	1-7/16"
2550200-10	10"	3600	8.64	7/8"	10-7/8"	16-1/2"	8-7/16"	2-1/8"	5/8"	1-3/4"
2550200-12	12"	3800	11.32	7/8"	12"	18-5/8"	10-1/8"	2-13/16"	5/8"	2"
2550200-14	14"	4200	15.05	1"	14-1/2"	21-3/4"	10-11/16"	2-11/16"	3/4"	2"

CROSS REFERENCE

- NIBCO TOLCO®: 010-series
- ERICO®: 4010-series
- COOPER B-LINE®: B3100-series

System No.		Location		Spec Section		Paragraph	
Submitted By		Date		Approved		Date	